

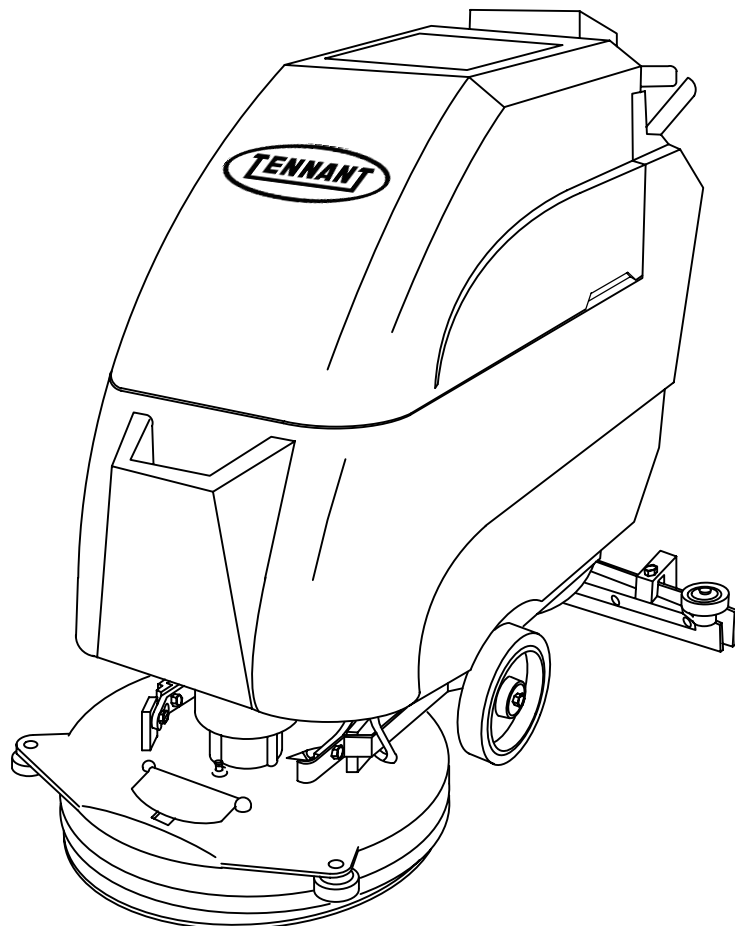
**FLOOR**EQUIPMENT**PARTS.COM**

# 5280

Scrubber

**Model No.:**  
**610678**  
**610679 PAC**

**Operator and Parts Manual**

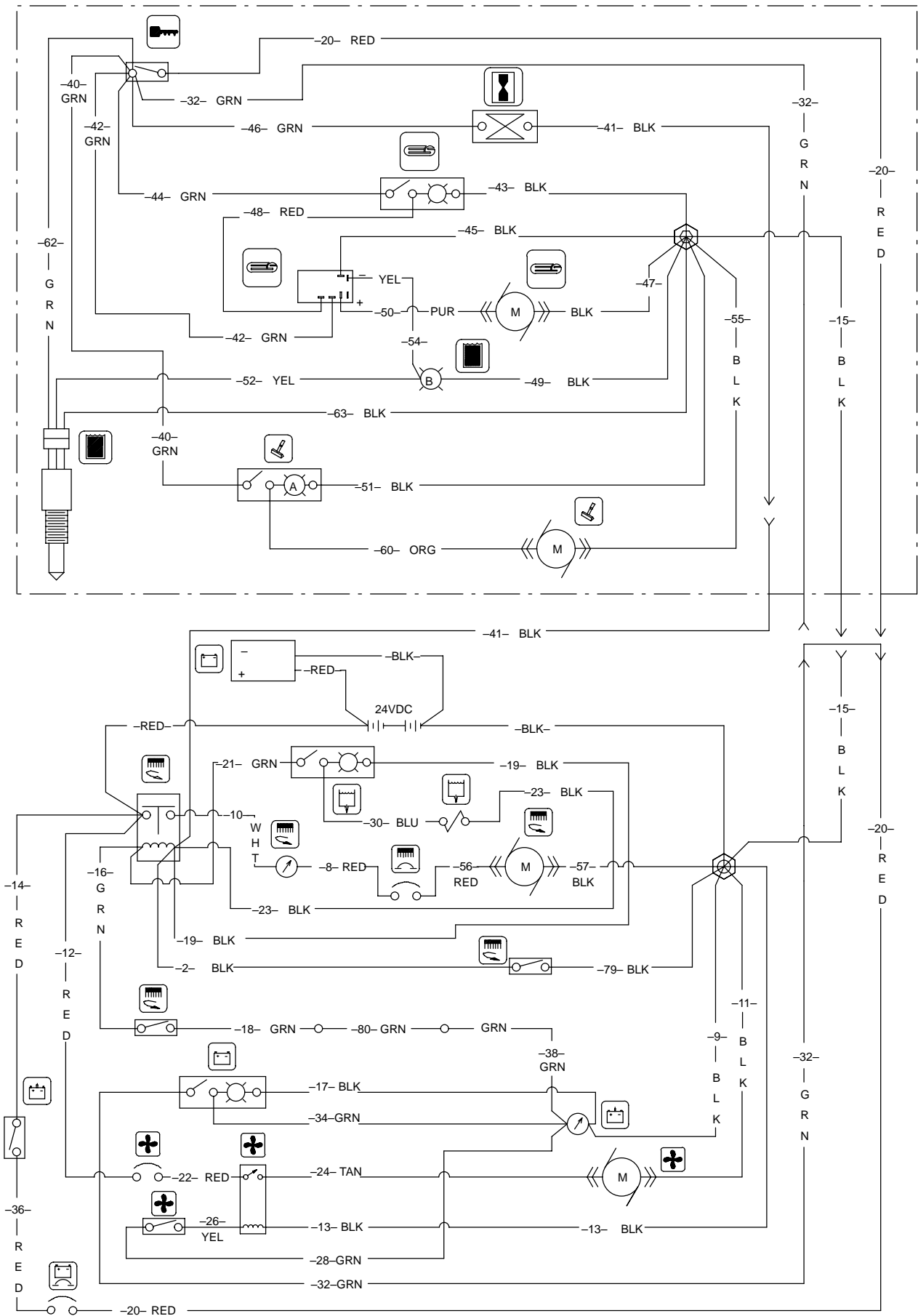


**TENNANT COMPANY**  
**Commercial Products**  
12875 RANSOM STREET  
HOLLAND MI 49424 U.S.A.

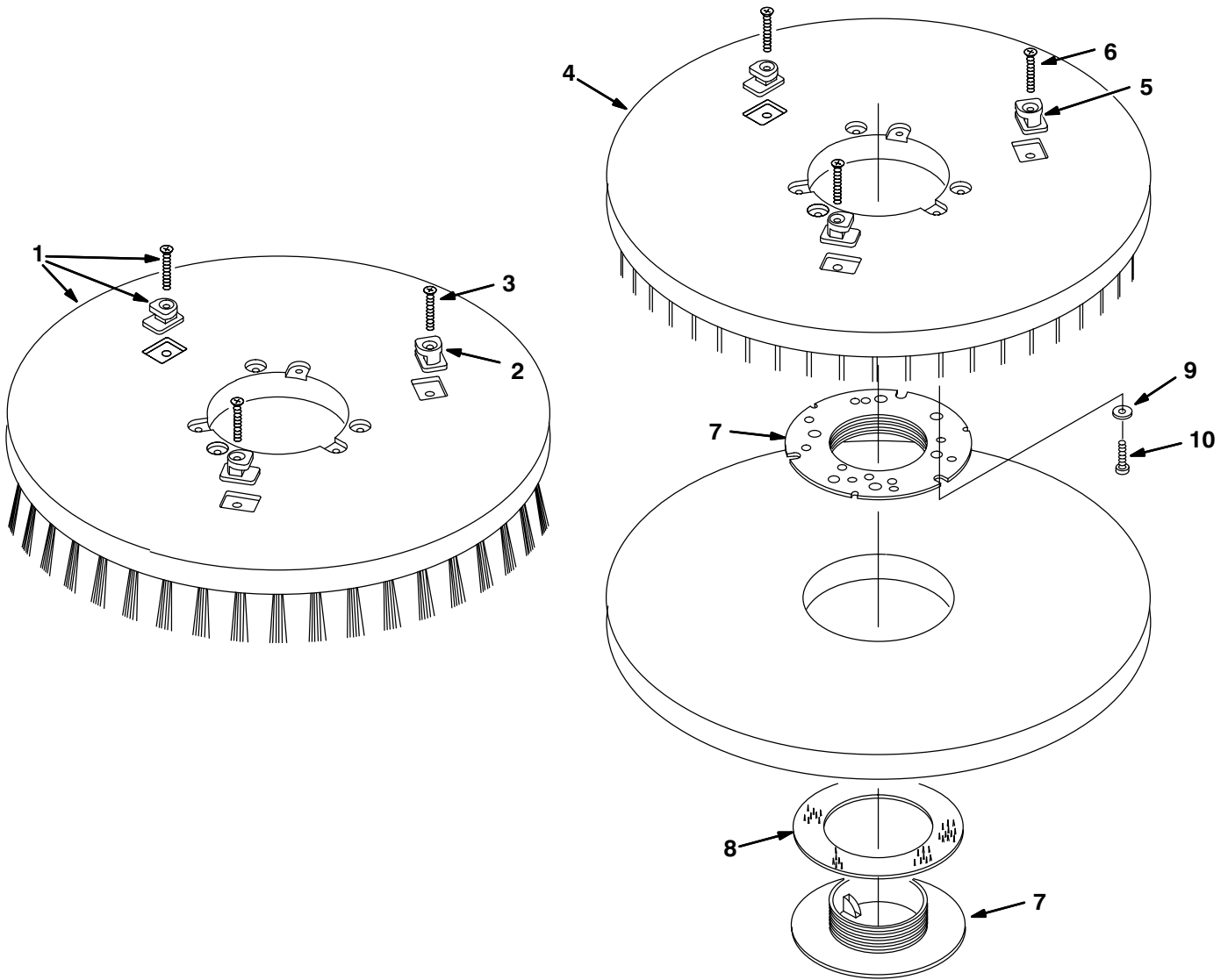
FAX: 1-800-678-4240  
CUSTOMER SERVICE: 1-800-982-7658

**610168**  
**Rev. 00 (10-00)**

# ELECTRICAL DIAGRAM



REPLACEMENT BRUSHES AND PAD DRIVER GROUP



## REPLACEMENT BRUSHES AND PAD DRIVER GROUP

| REF | PART # | DESCRIPTION                 | QTY. |
|-----|--------|-----------------------------|------|
| ▽1  | 222301 | BRUSH ASM, 20" NYLON        | 1    |
| ▲2  | 630214 | ●STUD, 20" BRUSH/PAD DRIVER | 3    |
| ▲3  | 140193 | SCREW, M6X1.0X40            | 3    |
| ▽1  | 222300 | BRUSH ASM, 20" POLY         | 1    |
| ▲2  | 630214 | ●STUD, 20" BRUSH/PAD DRIVER | 3    |
| ▲3  | 140193 | SCREW, M6X1.0X40            | 3    |
| ▽1  | 222302 | BRUSH ASM, 20" GRIT         | 1    |
| ▲2  | 630214 | ●STUD, 20" BRUSH/PAD DRIVER | 3    |

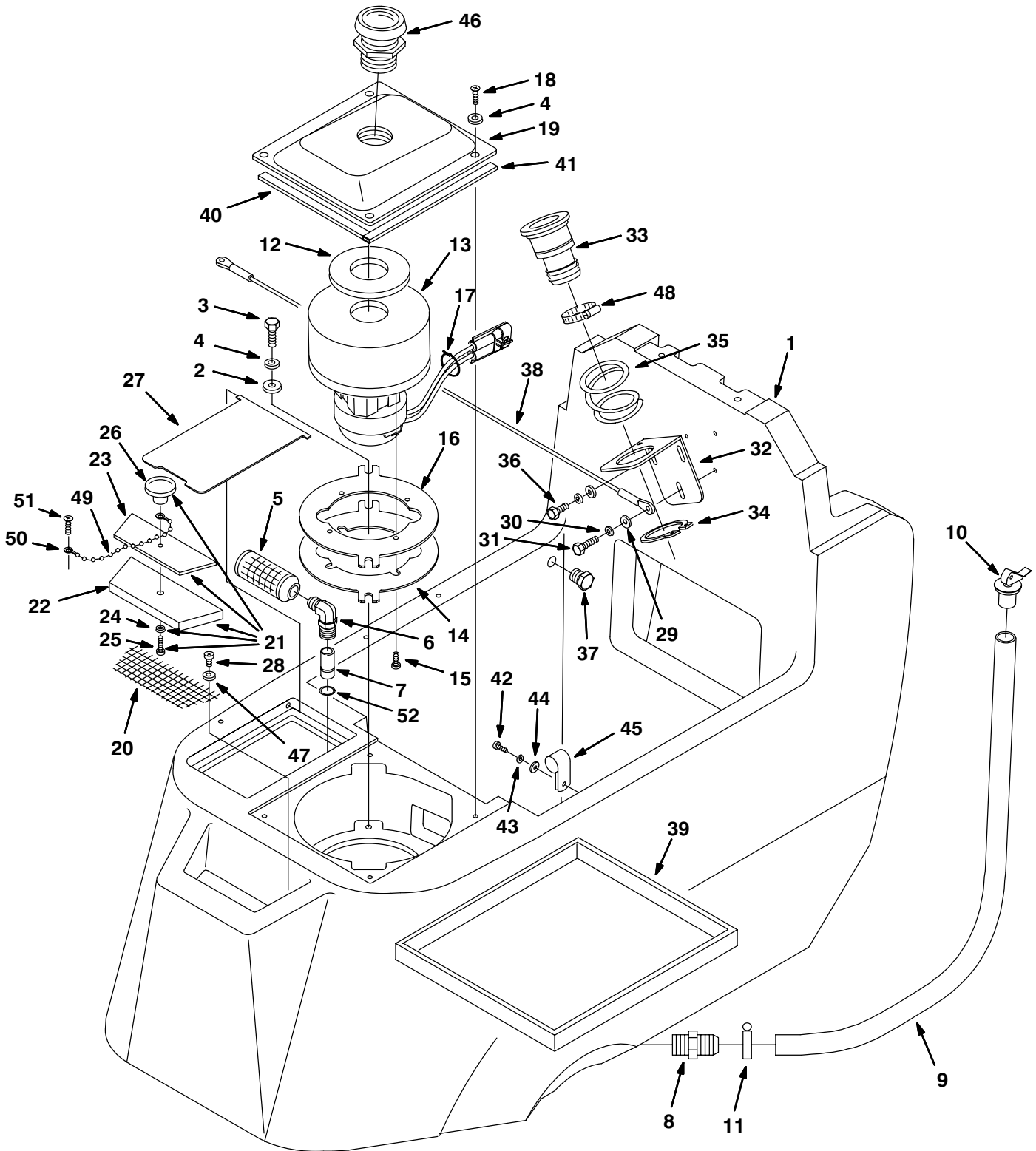
| REF | PART #    | DESCRIPTION                    | QTY. |
|-----|-----------|--------------------------------|------|
| ▲3  | 140193    | SCREW, M6X1.0X40               | 3    |
| ▽4  | 222303    | ●PAD DRIVER ASM, 20" PLAS BACK | 1    |
| ▲5  | 630214    | ●STUD, 20" BRUSH/PAD DRIVER    | 3    |
| ▲6  | 140193    | SCREW, M6X1.0X40               | 3    |
| ▲7  | 630473    | ●CENTER LOCK, PAD RETAINER     | 1    |
| ▲8  | 630472    | WASHER, BRUSH PAD RETAINER     | 1    |
| ▲9  | 140007    | WASHER, #8 FLAT                | 3    |
| ▲10 | 200070351 | SCREW, M4X25                   | 3    |

▽ ASSEMBLY

▲ INCLUDED IN ASSEMBLY

● RECOMMENDED STOCK ITEMS

SOLUTION TANK AND VACUUM MOTOR GROUP



## SOLUTION TANK AND VACUUM MOTOR GROUP

| REF | PART #    | DESCRIPTION                 | QTY. |
|-----|-----------|-----------------------------|------|
| 1   | 602698    | TANK, SOLUTION TEAL         | 1    |
| 2   | 14880.5   | WASHER, 5/16 FLAT           | 2    |
| 3   | 200031488 | SCREW, M8X1.25X20           | 2    |
| 4   | 200370019 | WASHER, M8.4 LOCK           | 6    |
| 5   | 630024    | ●FILTER, SCREEN             | 1    |
| 6   | 630371    | FITTING, 1/2MX5/8H ELBOW    | 1    |
| 7   | 601105    | SPACER, .50X.62X1.62        | 1    |
| 8   | 612146000 | FITTING, 3/4M X 3/4H STRT   | 1    |
| 9   | 630018    | HOSE, 3/4ID X 33"           | 1    |
| 10  | 630019    | ●PLUG, EXPANSION,3/4"ID     | 1    |
| 11  | 630369    | CLAMP, HOSE .50-1.1"        | 1    |
| 12  | 102557    | ●GASKET, VAC MOTOR SEAL     | 1    |
| 13  | 607003    | ●MOTOR, VAC 5.7 2-STAGE 24V | 1    |
|     | 190163    | ●BRUSH, CARBON 2/PK         | 2    |
| 14  | 630013    | GASKET, VAC MOTOR BRACKET   | 1    |
| 15  | 140340    | SCREW, #10X5/8              | 4    |
| 16  | 630014    | BRACKET, VAC MOTOR 20"      | 1    |
| 17  | 130040    | WIRE TIE, 6"X.12            | 1    |
| 18  | 608322    | SCREW, M6X1.0X16            | 4    |
| 19  | 630015    | COVER, VAC MOTOR 20"        | 1    |
| 20  | 630006    | FILTER SCREEN               | 1    |
| V21 | 630602    | KIT, FILL COVER ASM         | 1    |
| ▲22 | 630338    | COVER, SOLUTION FILL        | 1    |
| ▲23 | 630341    | STIFFENER, SOL FILL COVER   | 1    |
| ▲24 | 140018    | WASHER, #10 INT             | 1    |
| ▲25 | 578201000 | SCREW, 10-32X.5             | 1    |
| ▲26 | 578301    | KNOB, FILL-COVER            | 1    |

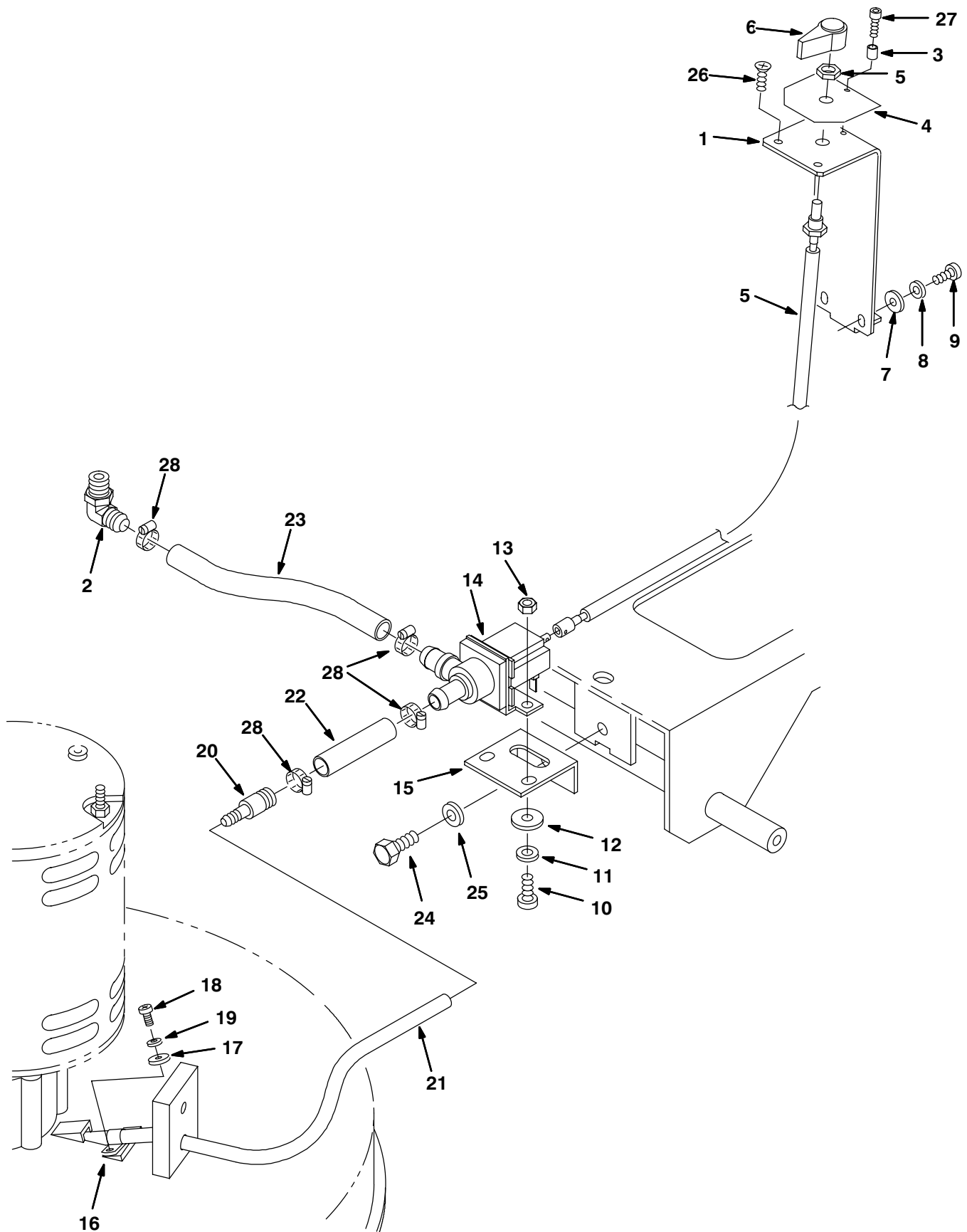
| REF | PART #    | DESCRIPTION                   | QTY. |
|-----|-----------|-------------------------------|------|
| 27  | 630007    | DOOR, SOL TANK ACCESS         | 1    |
| 28  | 140872    | SCREW, #6X3/8                 | 2    |
| 29  | 579210    | WASHER, M6.4X18X1.5 FLAT      | 7    |
| 30  | 578244000 | WASHER, M6.4X10 LOCK          | 7    |
| 31  | 200609438 | SCREW, M6X20                  | 1    |
| 32  | 630012    | BRACKET, VAC TRANS MOUNT      | 1    |
| 33  | 630011    | TUBE,VAC TRANS, FLANGE & BARB | 1    |
| 34  | 630016    | RING, RETAINING 1.82" DIA EXT | 1    |
| 35  | 630267    | SPRING, COMP 2.12X2.00        | 1    |
| 36  | 200031436 | SCREW, M6X1.0X16              | 2    |
| 37  | 630146    | FITTING, 3/8M PLUG            | 1    |
| 38  | 630021    | CABLE ASM, TANK SUPPORT       | 1    |
| 39  | 601991    | TRAY, BATTERY                 | 1    |
| 40  | 630380    | GASKET, 191MM VAC MTR COVER   | 2    |
| 41  | 630381    | GASKET, 223MM VAC MTR         | 2    |
| 42  | 200070340 | SCREW, M4X.7X8                | 2    |
| 43  | 140023    | WASHER, #8 INT                | 2    |
| 44  | 200301014 | WASHER, M4.3X10.1X1 FLAT      | 2    |
| 45  | 630343    | CLAMP, CABLE 7/8ID            | 2    |
| 46  | 630017    | FILTER, SCREEN VAC FAN        | 1    |
| 47  | 140032    | WASHER, #6 FLAT               | 2    |
| 48  | 140308    | CLAMP, HOSE 1-5/16 TO 2-1/4   | 1    |
| 49  | 575537    | CHAIN, BALL #10               | .12m |
| 50  | 575536    | CHAIN, COUPLING END           | 2    |
| 51  | 140826    | SCREW, #6X3/4                 | 1    |
| 52  | 630508    | O-RING, 9.2 ID X 12.7 OD      | 1    |

▽ ASSEMBLY

▲ INCLUDED IN ASSEMBLY

● RECOMMENDED STOCK ITEMS

SOLUTION CONTROL GROUP



## SOLUTION CONTROL GROUP

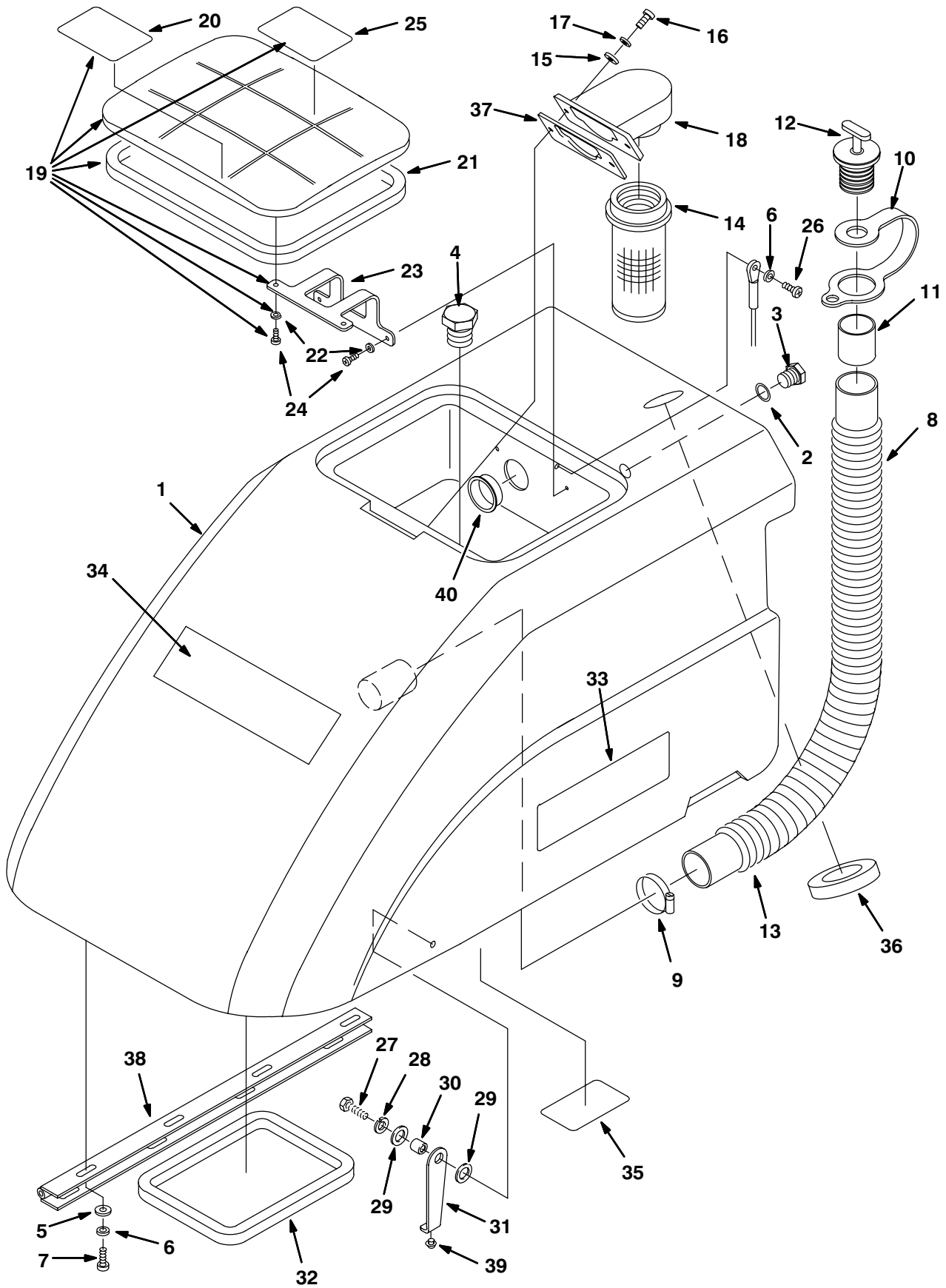
| REF | PART #    | DESCRIPTION                | QTY. |
|-----|-----------|----------------------------|------|
| 1   | 630057    | BRACKET, SOL. ADJ. KNOB    | 1    |
| 2   | 601104000 | FITTING, 1/2MX1/2H ELBOW   | 1    |
| 3   | 630452    | SPACER, 4.3X8.0X5.0 NYLON  | 1    |
| 4   | 630233    | DECAL, FLOW CONTROL        | 1    |
| 5   | 630117    | CABLE, WATER FLOW CONTROL  | 1    |
| 6   | 630116    | KNOB, VALVE-ADJUSTING      | 1    |
| 7   | 200315016 | WASHER, M5.3X15.0X1.6 FLAT | 2    |
| 8   | 140018    | WASHER, #10 INT            | 2    |
| 9   | 575569000 | SCREW, M5X16               | 2    |
| 10  | 608322    | SCREW, M6X1.0X16           | 2    |
| 11  | 578244000 | WASHER, M6.4X10 LOCK       | 2    |
| 12  | 140012    | WASHER, 3/16 FLAT          | 2    |
| 13  | 579029    | NUT, M6X1.0                | 2    |
| 14  | 630022    | ●VALVE, SOLENOID 24VDC     | 1    |

## ● RECOMMENDED STOCK ITEMS

| REF | PART #    | DESCRIPTION                     | QTY. |
|-----|-----------|---------------------------------|------|
| 15  | 630059    | BRACKET, VALVE                  | 1    |
| 16  | 140328    | CLAMP, CABLE 3/8ID              | 1    |
| 17  | 200301014 | WASHER, M4.3X10.1X1 FLAT        | 1    |
| 18  | 579259    | SCREW, M4X.7X12                 | 1    |
| 19  | 140023    | WASHER, #8 INT                  | 1    |
| 20  | 630164    | FITTING, 1/2HX1/4H STR          | 1    |
| 21  | 630366    | HOSE, .25ID X .345MM            | 1    |
| 22  | 630370    | HOSE, 40MM SOLENOID/REDUCER     | 1    |
| 23  | 630379    | HOSE, 1/2IDX8.25" TANK/SOLENOID | 1    |
| 24  | 200031488 | SCREW, M8X1.25X20               | 1    |
| 25  | 200370019 | WASHER, M8.4 LCK                | 1    |
| 26  | 069764140 | SCREW, M5X.8X16                 | 2    |
| 27  | 200001343 | SCREW, M4X.7X12                 | 1    |
| 28  | 140310    | CLAMP, HOSE 5/16-7/8            | 4    |



RECOVERY TANK GROUP



## RECOVERY TANK GROUP

| REF | PART #    | DESCRIPTION                    | QTY. |
|-----|-----------|--------------------------------|------|
| 1   | 610935    | TANK, RECOVERY TEAL            | 1    |
| 2   | 630134    | O-RING, 16MM OD X 3.5MM        | 1    |
| 3   | 630139    | FITTING, PLUG HEX 3/8"         | 1    |
| 4   | 630147    | FITTING, 3/4" NPT PLUG         | 1    |
| 5   | 140012    | WASHER, 3/16 FLAT              | 8    |
| 6   | 578244000 | WASHER, M6.4X10 LOCK           | 9    |
| 7   | 608322    | SCREW, M6X1.0X16               | 8    |
| ▽8  | 603217    | ●DRAINHOSE ASM                 | 1    |
| ▲9  | 140308    | CLAMP, HOSE 1-5/16 TO 2-1/4    | 1    |
| ▲10 | 578441    | STRAP, DRAIN HOSE              | 1    |
| ▲11 | 630394    | SLEEVE, DRAIN HOSE 1.5"ID      | 1    |
| ▲12 | 621324    | PLUG, EXPANSION 1-1/2" DIA     | 1    |
| ▲13 | 630068    | HOSE, DRAIN 38.1ID             | 1    |
| 14  | 630052    | ●FLOAT, SHUT-OFF (2)BALL       | 1    |
| 15  | 059650283 | WASHER, M6.4X18X1.6 FLAT       | 2    |
| 16  | 600385    | SCREW, M6X1.0X20               | 2    |
| 17  | 578244000 | WASHER, M6.4X10 LOCK           | 2    |
| 18  | 630053    | MOUNT, FLOAT-CAGE              | 1    |
| ▽19 | 630601    | KIT, RECOVERY TANK COVER       | 1    |
| ▲20 | 630420    | DECAL, "FLAMMABLE MAT'L" TXTLS | 1    |

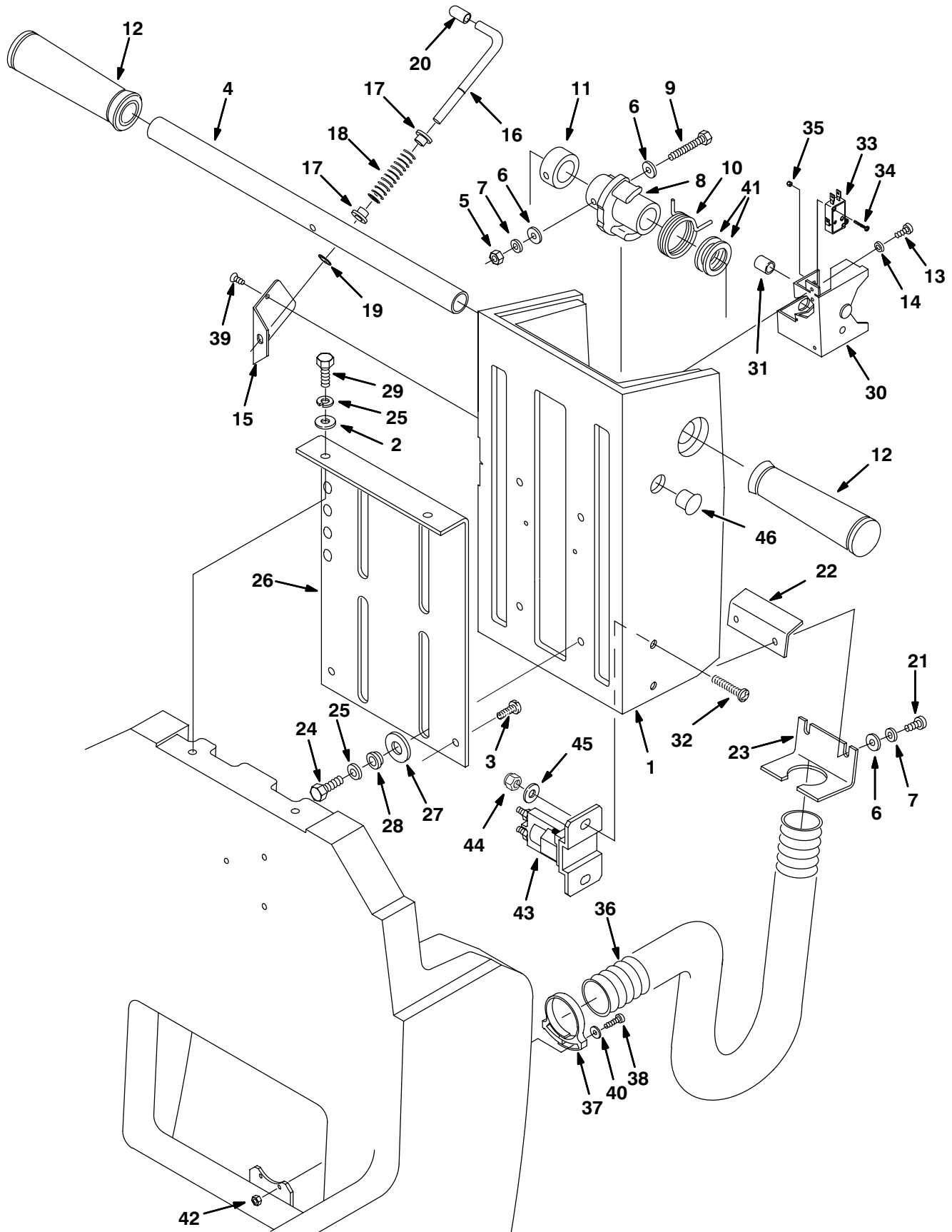
| REF | PART #    | DESCRIPTION                    | QTY. |
|-----|-----------|--------------------------------|------|
| ▲21 | 630367    | ●GASKET, REC TANK COVER        | 1    |
| ▲22 | 630390    | WASHER, .15X.56X.04 FLAT       | 4    |
| ▲23 | 630056    | STRAP, TANK COVER RETAINING    | 1    |
| ▲24 | 140872    | SCREW, #6X3/8                  | 4    |
| ▲25 | 606105    | DECAL, DO NOT SPRAY            | 1    |
| 26  | 200031436 | SCREW, M6X1.0X16               | 1    |
| 27  | 200031486 | SCREW, M8X1.25X16              | 1    |
| 28  | 140015    | WASHER, 5/16 SPLITLOCK         | 1    |
| 29  | 140027    | WASHER, 5/16 FLAT              | 2    |
| 30  | 140116    | BUSHING, .31X.44X.14           | 1    |
| 31  | 606527    | SUPPORT, RECOVERY TANK         | 1    |
| 32  | 630368    | ●GASKET, 650MM                 | 1    |
| 33  | 610281    | DECAL, MODEL "5280"            | 2    |
| 34  | 630229    | DECAL, TENNANT LOGO            | 1    |
| 35  | 630420    | DECAL, "FLAMMABLE MAT'L" TXTLS | 1    |
| 36  | 630010    | ●GASKET, 70OD,43ID,12.7THK     | 1    |
| 37  | 630255    | GASKET, FLOAT MOUNT            | 1    |
| 38  | 630048    | HINGE, 17.9"                   | 1    |
| 39  | 069760189 | BUMPER, RUBBER                 | 1    |
| 40  | 610979    | PLUG                           | 1    |

▽ ASSEMBLY

▲ INCLUDED IN ASSEMBLY

● RECOMMENDED STOCK ITEMS

CONSOLE GROUP



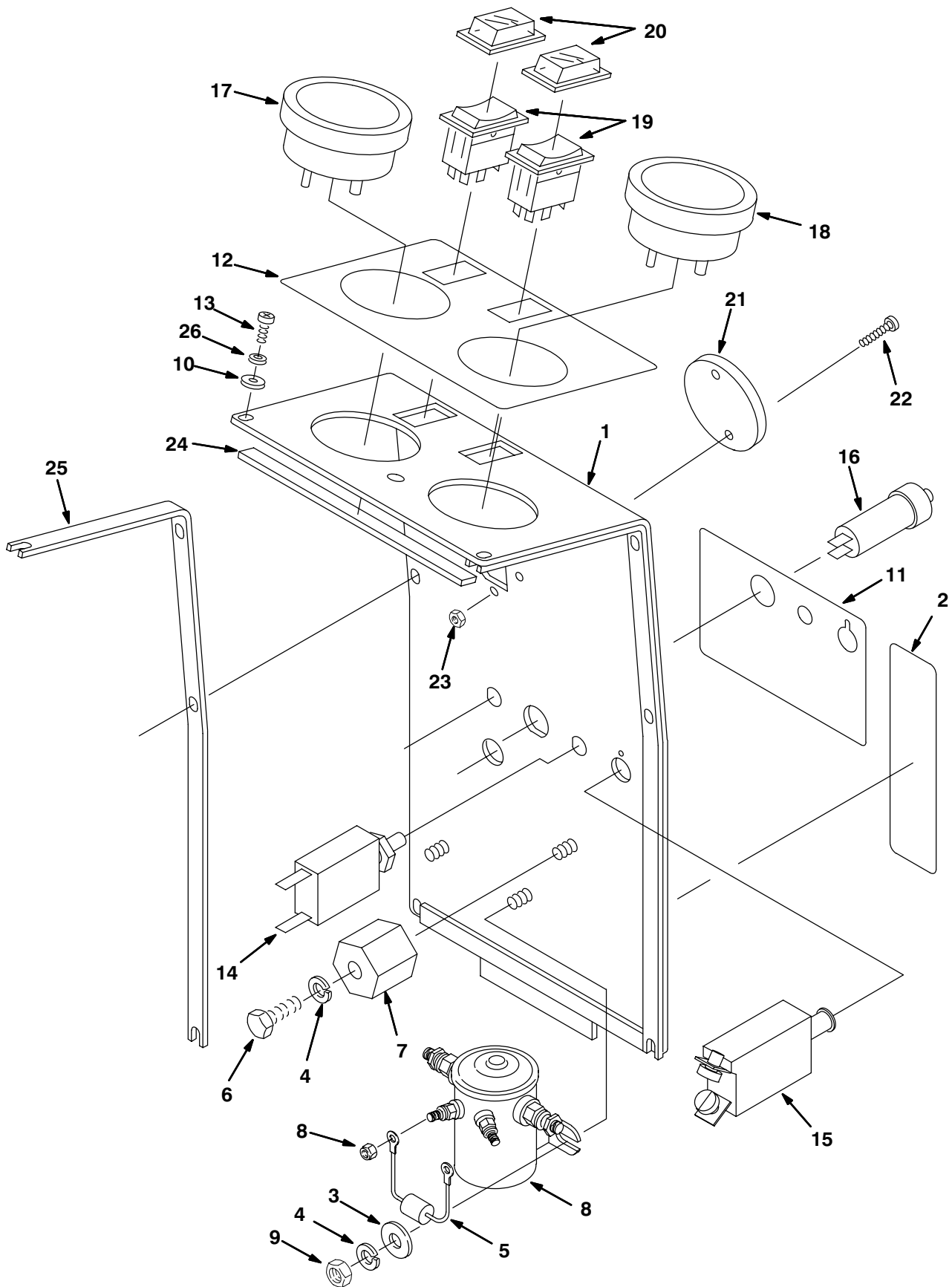
## CONSOLE GROUP

| REF | PART #    | DESCRIPTION                      | QTY. |
|-----|-----------|----------------------------------|------|
| 1   | 610922    | CONSOLE TEAL                     | 1    |
| 2   | 140027    | WASHER, 5/16 FLAT                | 2    |
| 3   | 630306    | SCREW, M8X1.25X16                | 2    |
| 4   | 630093    | HANDLEBAR                        | 1    |
| 5   | 579029    | NUT, M6X1.0                      | 1    |
| 6   | 579210    | WASHER, M6.4X18X1.5 FLAT         | 3    |
| 7   | 578244000 | WASHER, M6.4X10 LOCK             | 3    |
| 8   | 630109    | ASM, HUB & GEAR                  | 1    |
| 9   | 630431    | SCREW, M6X1.0X40                 | 1    |
| 10  | 630088    | SPRING, CENTER                   | 1    |
| 11  | 630217    | COLLAR, .88"ID, 1.38"OD, .63"LG. | 1    |
| 12  | 590002000 | GRIP, HANDLE                     | 2    |
| 13  | 200070340 | SCREW, M4X.7X8                   | 2    |
| 14  | 140023    | WASHER, #8 INT                   | 2    |
| 15  | 630087    | PLATE, LATCH RETAINER            | 1    |
| 16  | 630081    | LEVER, LATCH, CONSOLE ADJUST     | 1    |
| 17  | 630083    | BUSHING, LATCH                   | 2    |
| 18  | 630082    | SPRING, COMP .42X1.75X.035"      | 1    |
| 19  | 630084    | RING, RETAINING EXT              | 1    |
| 20  | 630094    | GRIP, CONSOLE ADJUST LEVER       | 1    |
| 21  | 608322    | SCREW, M6X1.0X16                 | 2    |
| 22  | 630086    | PLATE, STRAIN-RELIEF             | 1    |
| 23  | 630108    | BRACKET, CONDUIT MOUNT           | 1    |

| REF | PART #    | DESCRIPTION                    | QTY. |
|-----|-----------|--------------------------------|------|
| 24  | 200031486 | SCREW, M8X1.25X16              | 4    |
| 25  | 200370019 | WASHER, M8.4 LOCK              | 6    |
| 26  | 582078    | PLATE, CONSOLE SLIDE           | 1    |
| 27  | 630447    | WASHER, M12.7X25.4X.8 NYLON    | 4    |
| 28  | 630095    | BEARING, .38IDX.50ODX.25LG FLG | 4    |
| 29  | 200031488 | SCREW, M8X1.25X20              | 2    |
| 30  | 630079    | BRACKET, LIMIT SWITCH MOUNT    | 1    |
| 31  | 630260    | SPACER, 6.5X12.7X15.9 NY       | 1    |
| 32  | 15858.12  | SCREW, 10-24X3/4               | 2    |
| 33  | 611006    | ●KIT, SWITCH REPLACEMENT       | 1    |
| 34  | 579213    | SCREW, M3X.5X20                | 2    |
| 35  | 579211    | NUT, M3 HEXLOCK                | 2    |
| 36  | 630113    | CONDUIT, CONVOLUTED, BLACK     | 1    |
| 37  | 140322    | CLAMP, VAC HOSE                | 1    |
| 38  | 57840300  | SCREW, M3X.5X20                | 2    |
| 39  | 630114    | SCREW, M4X.7X8                 | 2    |
| 40  | 200301012 | WASHER, M3 FLAT                | 2    |
| 41  | 069760582 | WASHER, M23X34X8 NYLON         | 2    |
| 42  | 579211    | NUT, M3 HEXLOCK                | 2    |
| 43  | 603008    | ●CONTACTOR, 24VDC 100A         | 1    |
| 44  | 140552    | NUT, 10-24 NYLOCK              | 2    |
| 45  | 069762056 | WASHER, #10 FLAT               | 2    |
| 46  | 130280    | PLUG, DOME 7/16 BLACK          | 1    |

## ● RECOMMENDED STOCK ITEMS

CONSOLE PANEL GROUP



## CONSOLE PANEL GROUP

| REF | PART #    | DESCRIPTION                  | QTY. |
|-----|-----------|------------------------------|------|
| 1   | 602477    | PLATE, SWITCH 20DC           | 1    |
| 2   | 630422    | DECAL, BATT. CHARGE TEXTLESS | 1    |
| 3   | 140000    | WASHER, 1/4 FLAT             | 2    |
| 4   | 578244000 | WASHER, M6.4X10 LOCK         | 3    |
| 5   | 606404    | ●ASM, DIODE W/RING TERMINALS | 1    |
| 6   | 069762115 | SCREW, 1/4-20X1/2            | 1    |
| 7   | 578427    | STANDOFF, TERMINAL           | 1    |
| 8   | 605905    | ●SOLENOID, 24 VDC            | 1    |
| 9   | 140501    | NUT, 1/4-20 NYLOCK           | 2    |
| 10  | 200301014 | WASHER, M4.3X10.1X1 FLAT     | 8    |
| 11  | 610282    | DECAL, CIRCUIT BREAKER       | 1    |
| 12  | 610283    | DECAL, CONSOLE               | 1    |
| 13  | 200070340 | SCREW, M4X.7X8               | 8    |
| 14  | 605201    | ●BREAKER, CIRCUIT 17 AMP     | 1    |
| 15  | 602951    | ●BREAKER, CIRCUIT 35A        | 1    |

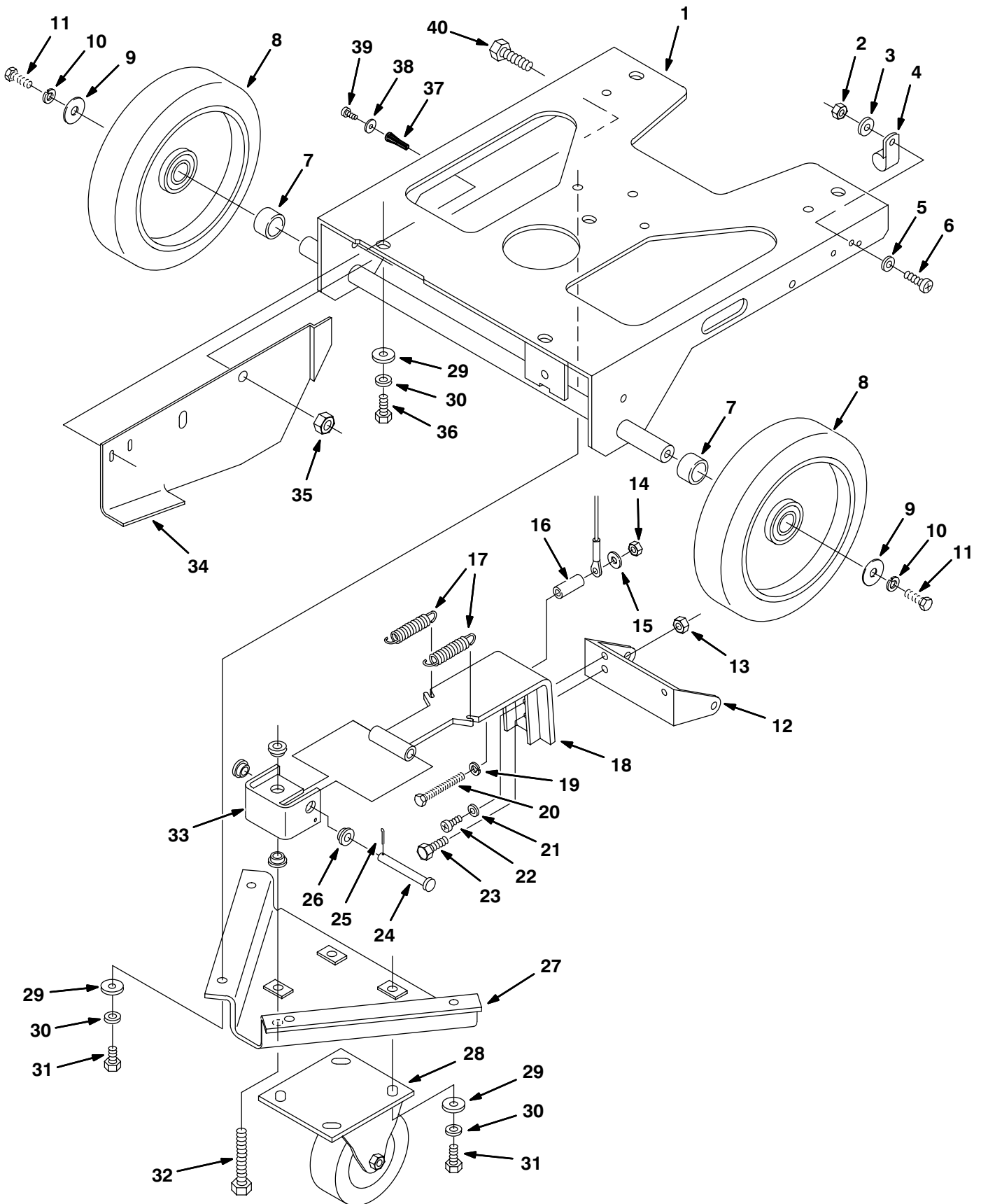
| REF | PART #    | DESCRIPTION                   | QTY. |
|-----|-----------|-------------------------------|------|
| 16  | 630102    | ●BREAKER, CIRCUIT 7A          | 1    |
| 17  | 630090    | ●GAUGE, BRUSH PRESSURE        | 1    |
| 18  | 630091    | ●METER, BATTERY, 24 VDC       | 1    |
| 19  | 630419    | ●SWITCH, RCKR SPST 24VDC GRN  | 2    |
| 20  | 578720    | ●SPLASHGUARD, RCKR SWITCH     | 2    |
| 21  | 607002    | PLATE, COVER                  | 1    |
| 22  | 200070340 | SCREW, M4X.7X8                | 2    |
| 23  | 200160014 | NUT, M4 HEXLOCK               | 2    |
| 24  | 630453    | GASKET, 143MM                 | 2    |
| 25  | 630119    | GASKET, CONSOLE 3.1X8.0X420   | 2    |
| 26  | 140023    | WASHER, #8 INT                | 8    |
| N/S | 607789    | HARNES, MAIN W/WATERPROOF     | 1    |
| N/S | 611028    | ASM WIRE, #16X3GRN 1/4M-1/4M  | 1    |
| N/S | 611029    | ASM WIRE, #18X19BLK 1/4F-1/4R | 1    |

● RECOMMENDED STOCK ITEMS

N/S = NOT SHOWN

# PARTS LIST

## MAIN FRAME GROUP



## MAIN FRAME GROUP

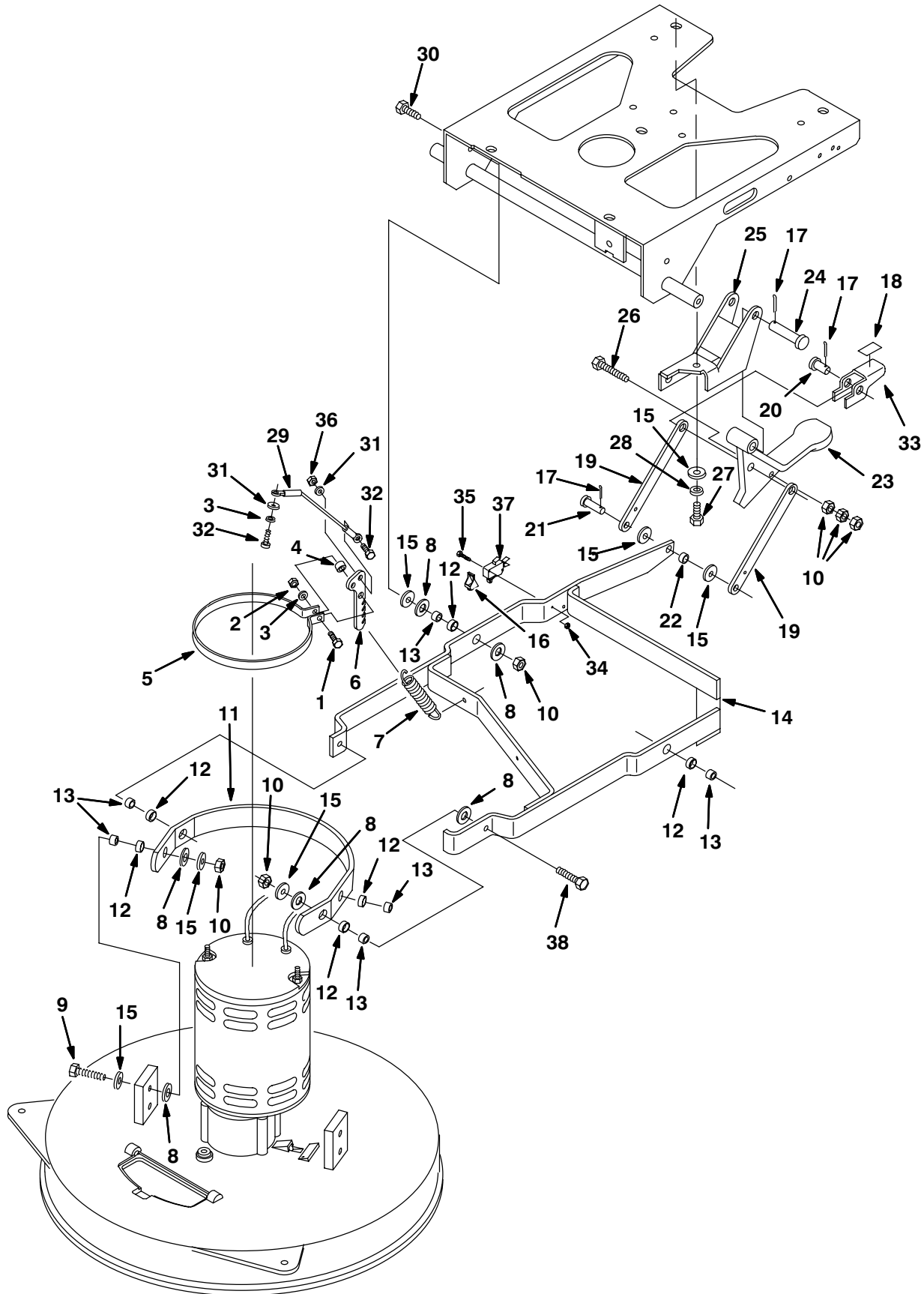
| REF | PART #    | DESCRIPTION                     | QTY. |
|-----|-----------|---------------------------------|------|
| 1   | 630023    | FRAME                           | 1    |
| 2   | 579029    | NUT, M6X1.0                     | 1    |
| 3   | 579210    | WASHER, M6.4X18X1.5 FLAT        | 1    |
| 4   | 630428    | CLAMP, CABLE 1"ID               | 1    |
| 5   | 578244000 | WASHER, M6.4X10 LOCK            | 1    |
| 6   | 608322    | SCREW, M6X1.0X16                | 1    |
| 7   | 610287    | BUSHING, 1.125OD X .75ID X.50LG | 2    |
| 8   | 610286    | ●WHEEL, 8" X 2"                 | 2    |
| 9   | 069764631 | WASHER, M8.4X25.4X4.8 FLAT      | 2    |
| 10  | 200370019 | WASHER, M8.4 LOCK               | 2    |
| 11  | 200031488 | SCREW, M8X1.25X20               | 2    |
| 12  | 630278    | BRACKET, TIP ADJUST             | 1    |
| 13  | 200160017 | NUT, M8 HEXLOCK                 | 1    |
| 14  | 140501    | NUT, 1/4-20 NYLOCK              | 1    |
| 15  | 140000    | WASHER, 1/4 FLAT                | 1    |
| 16  | 610209    | SPACER                          | 1    |
| 17  | 610285    | SPRING, EXTENSION               | 2    |
| 18  | 610208    | ARM, SQUEEGEE                   | 1    |
| 19  | 578244000 | WASHER, M6.4X10 LOCK            | 2    |
| 20  | 610288    | SCREW, 1/4-20 X 1.62            | 1    |

| REF | PART #    | DESCRIPTION                | QTY. |
|-----|-----------|----------------------------|------|
| 21  | 578244000 | WASHER, M6X.4 LOCK         | 1    |
| 22  | 578187000 | SCREW, M6X1.0X12           | 1    |
| 23  | 200031488 | SCREW, M8X1.25X20          | 1    |
| 24  | 630047    | PIN, CLEVIS 3/8DIA X 2-3/4 | 1    |
| 25  | 140630    | PIN, COTTER                | 1    |
| 26  | 630095    | BEARING, FLANGE            | 4    |
| 27  | 630003    | FRAME, CASTER MOUNT        | 1    |
| 28  | 630002    | ●CASTER, 4"DIA 1-3/8"W     | 1    |
| 29  | 14880.5   | WASHER, 5/16 FLAT          | 17   |
| 30  | 200370019 | WASHER, M8.4 LOCK          | 17   |
| 31  | 200031486 | SCREW, M8X1.25X16          | 12   |
| 32  | 630345    | SCREW, 3/8DIA X 2 SHOULDER | 1    |
| 33  | 630045    | BRACKET, SQUEEGEE LIFT     | 1    |
| 34  | 630307    | BRACKET, SAFETY AND LIMIT  | 1    |
| 35  | 200160018 | NUT, M10 HEXLOCK           | 1    |
| 36  | 200031488 | SCREW, M8X1.25X20          | 5    |
| 37  | 578329000 | SCREW, #6 ANCHOR           | 2    |
| 38  | 140032    | WASHER, #6 FLAT            | 2    |
| 39  | 590137    | SCREW, 6-32X3/8            | 2    |
| 40  | 140277    | SCREW, M10X1.5X20          | 1    |

● RECOMMENDED STOCK ITEMS



SCRUB HEAD LIFT GROUP



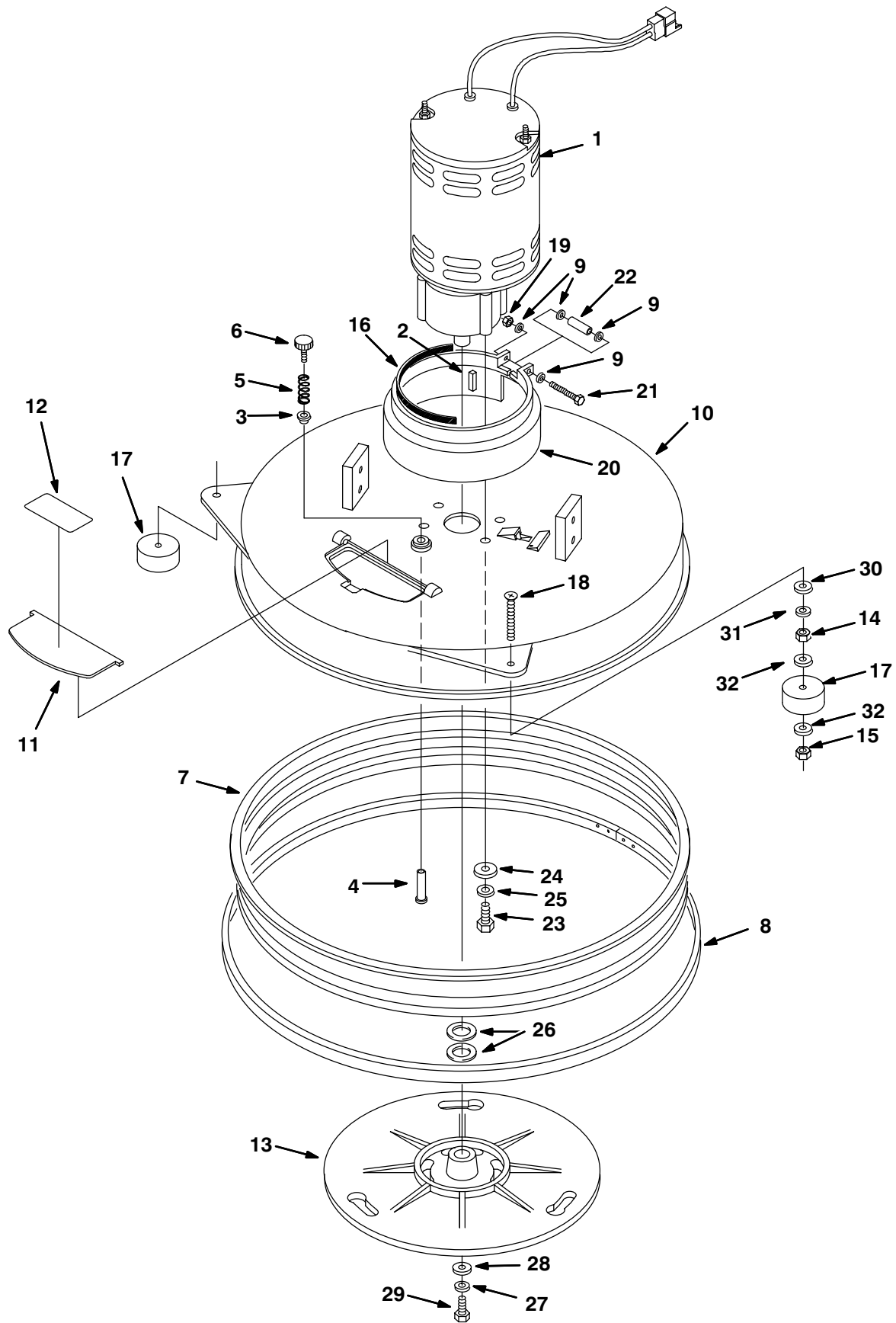
## SCRUB HEAD LIFT GROUP

| REF | PART #    | DESCRIPTION                  | QTY. |
|-----|-----------|------------------------------|------|
| 1   | 200031444 | SCREW, M6X1.0X30             | 1    |
| 2   | 579029    | NUT, M6X1.0                  | 1    |
| 3   | 578244000 | WASHER, M6.4X10 LOCK         | 2    |
| 4   | 140154    | SPACER, .25X.38X.31          | 1    |
| 5   | 630050    | BAND, MOTOR SPRING MOUNT     | 1    |
| 6   | 630377    | BRACKET, SCRUB HEAD LEVEL    | 1    |
| 7   | 630208    | SPRING, MOTOR CNTR TORQUE    | 1    |
| 8   | 630447    | WASHER, M12.7X25.4X.8 NYLON  | 12   |
| 9   | 200031496 | SCREW, M8X1.25X35            | 2    |
| 10  | 200160017 | NUT, M8 HEXLOCK              | 9    |
| 11  | 630177    | BRACKET, MOTOR PIVOT         | 1    |
| 12  | 630188    | BEARING .50"IDX.25LG JOURNAL | 6    |
| 13  | 630189    | SLEEVE, BRG 12.7ODX8.7ID 08  | 6    |
| 14  | 630176    | HEAD LIFT, WELDMENT          | 1    |
| 15  | 14880.5   | WASHER, 5/16 FLAT            | 11   |
| 16  | 600372    | BOOT, SWITCH                 | 1    |
| 17  | 578421    | PIN, COTTER 1/8X1"           | 3    |
| 18  | 600721    | PAD, NON SLIP SURFACING      | 1    |
| 19  | 630182    | ARM, LINK, HEADLIFT          | 2    |

| REF | PART #    | DESCRIPTION                 | QTY. |
|-----|-----------|-----------------------------|------|
| 20  | 600720    | PIN, CLEVIS 1/2DIAX1-19/64  | 1    |
| 21  | 630258    | PIN, CLEVIS 3/8DIAX1"       | 1    |
| 22  | 630259    | BEARING, 9.5ID,12.7OD,6.4LG | 1    |
| 23  | 630181    | PEDAL, FOOT HEADLIFT        | 1    |
| 24  | 630448    | PIN, CLEVIS 1/2DIAX2-1/4    | 1    |
| 25  | 630206    | BRACKET, HEADLIFT ASM       | 1    |
| 26  | 200032503 | SCREW, M8X1.25X60           | 1    |
| 27  | 200031488 | SCREW, M8X1.25X20           | 1    |
| 28  | 200370019 | WASHER, M8.4 LOCK           | 1    |
| 29  | 630384    | CABLE, HEAD LIFT            | 1    |
| 30  | 200607491 | SCREW, M8X1.25X25           | 2    |
| 31  | 140012    | WASHER, 3/16 FLAT           | 2    |
| 32  | 200031436 | SCREW, M6X1.0X16            | 2    |
| 33  | 600719    | LATCH, HEAD RELEASE         | 1    |
| 34  | 579211    | NUT, M3 HEXLOCK             | 2    |
| 35  | 579213    | SCREW, M3X.5X20             | 2    |
| 36  | 579028    | NUT, M6 HEXLOCK             | 1    |
| 37  | 611006    | ●KIT, SWITCH REPLACEMENT    | 1    |
| 38  | 200031494 | SCREW, M8X1.25X30           | 2    |

● RECOMMENDED STOCK ITEMS

**SCRUB BRUSH DRIVE GROUP**



## SCRUB BRUSH DRIVE GROUP

| REF | PART #    | DESCRIPTION                         | QTY. |
|-----|-----------|-------------------------------------|------|
| ▽1  | 610263    | ●MOTOR, BRUSH .75HP 24VDC<br>200RPM | 1    |
|     | 190970    | ●BRUSH, CARBON                      | 4    |
|     | 611024    | ASM., BRUSH CARD                    | 1    |
|     | 630609    | ASM., GEAR BOX                      | 1    |
| ▲2  | 630454    | KEY, SQUARE .25X1.12 LG             | 1    |
| 3   | 605825    | SCREW, HEAD STOP PIN                | 1    |
| 4   | 630308    | PIN, HEAD STOP                      | 1    |
| 5   | 630310    | SPRING, HEAD STOP                   | 1    |
| 6   | 603012    | KNOB, HUB LOCK                      | 1    |
| 7   | 630506    | ●SKIRT, SCRUB HEAD HEAVY DUTY       | 1    |
| 8   | 602045000 | BAND, SKIRT HEAVY DUTY              | 1.6M |
|     | 602044000 | CLAMP, BAND HEAVY DUTY              | 1    |
| 9   | 140012    | WASHER, 3/16 FLAT                   | 4    |
| 10  | 630026    | HEAD, SCRUBBER 20"                  | 1    |
| ▽11 | 630603    | KIT, BRUSH DOOR W/DECAL             | 1    |
| ▲12 | 578769    | DECAL, MOVING PARTS TEXTLESS        | 1    |
| 13  | 630039    | HUB, BRUSH DRIVE 20"                | 1    |
| 14  | 200101017 | NUT, M8X1.25 HEXJAM                 | 2    |

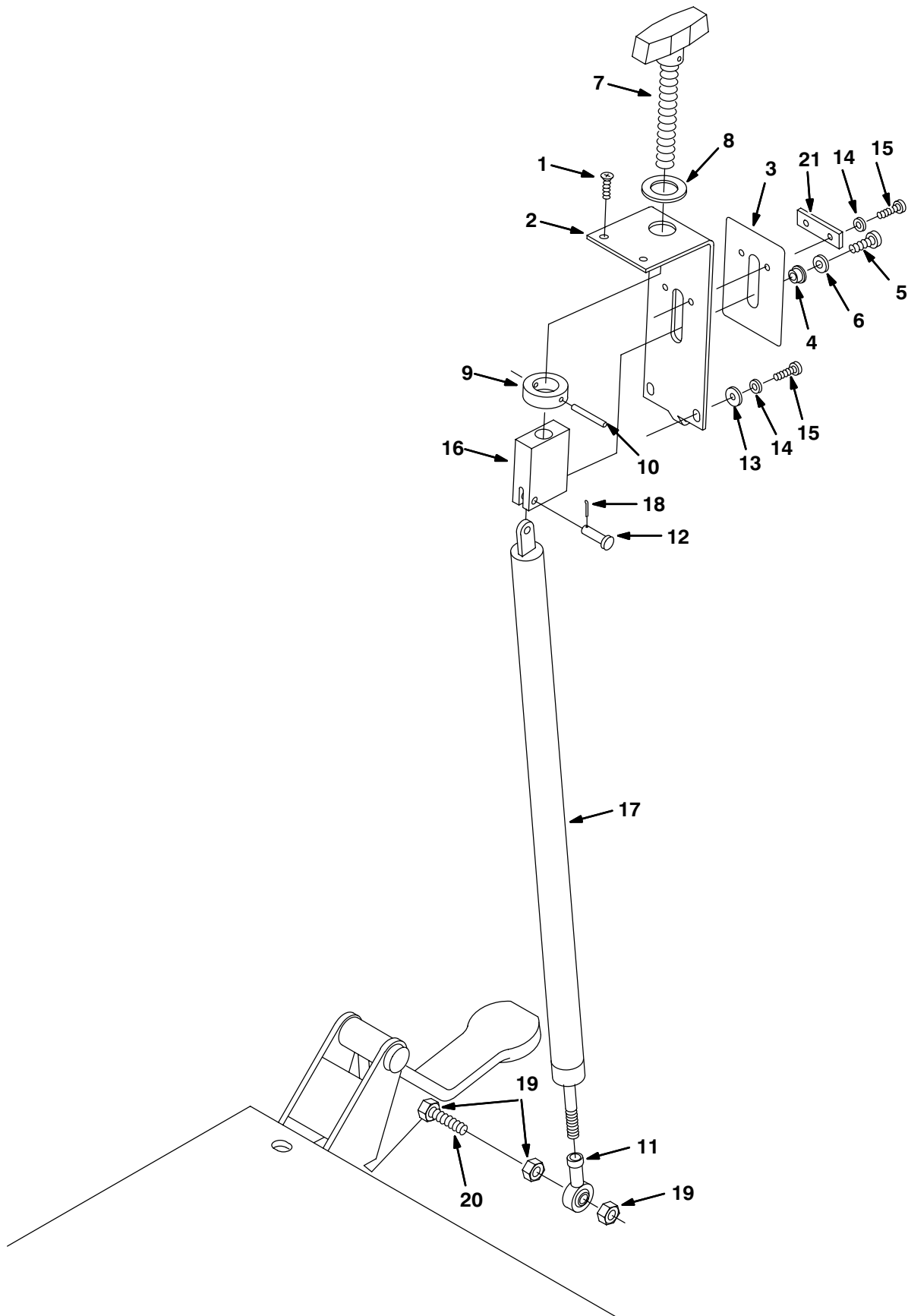
| REF | PART #    | DESCRIPTION                      | QTY. |
|-----|-----------|----------------------------------|------|
| 15  | 200160017 | NUT, M8 HEXLOCK                  | 2    |
| 16  | 630475    | GASKET, WATER DEFLECTOR<br>450MM | 1    |
| 17  | 579184    | WHEEL, 2"X7/8" RUBBER            | 2    |
| 18  | 630430    | SCREW, M8X1.25X50                | 2    |
| 19  | 579028    | NUT, M6 HEXLOCK                  | 1    |
| 20  | 630213    | DEFLECTOR, WATER                 | 1    |
| 21  | 578208000 | SCREW, M6X1.0X55                 | 1    |
| 22  | 630272    | SPACER, .28X.38X1.30 NYLON       | 1    |
| 23  | 059650308 | SCREW, 3/8-16X1                  | 4    |
| 24  | 140028    | WASHER, 3/8 FLAT                 | 4    |
| 25  | 140017    | WASHER, 3/8 SPLITLOCK            | 4    |
| 26  | 069760023 | WASHER, .77X1.26X.03 FLAT        | 2    |
| 27  | 140015    | WASHER, 5/16 SPLITLOCK           | 1    |
| 28  | 069764631 | WASHER, M8.4X25.4X4.8 FLAT       | 1    |
| 29  | 140219    | SCREW, 5/16-18X1                 | 1    |
| 30  | 14880.5   | WASHER, 5/16 FLAT                | 2    |
| 31  | 200370019 | WASHER, M8.4 LOCK                | 2    |
| 32  | 630446    | WASHER, .318 NYLON               | 4    |

▽ ASSEMBLY

▲ INCLUDED IN ASSEMBLY

● RECOMMENDED STOCK ITEMS

SCRUB BRUSH DOWN PRESSURE GROUP



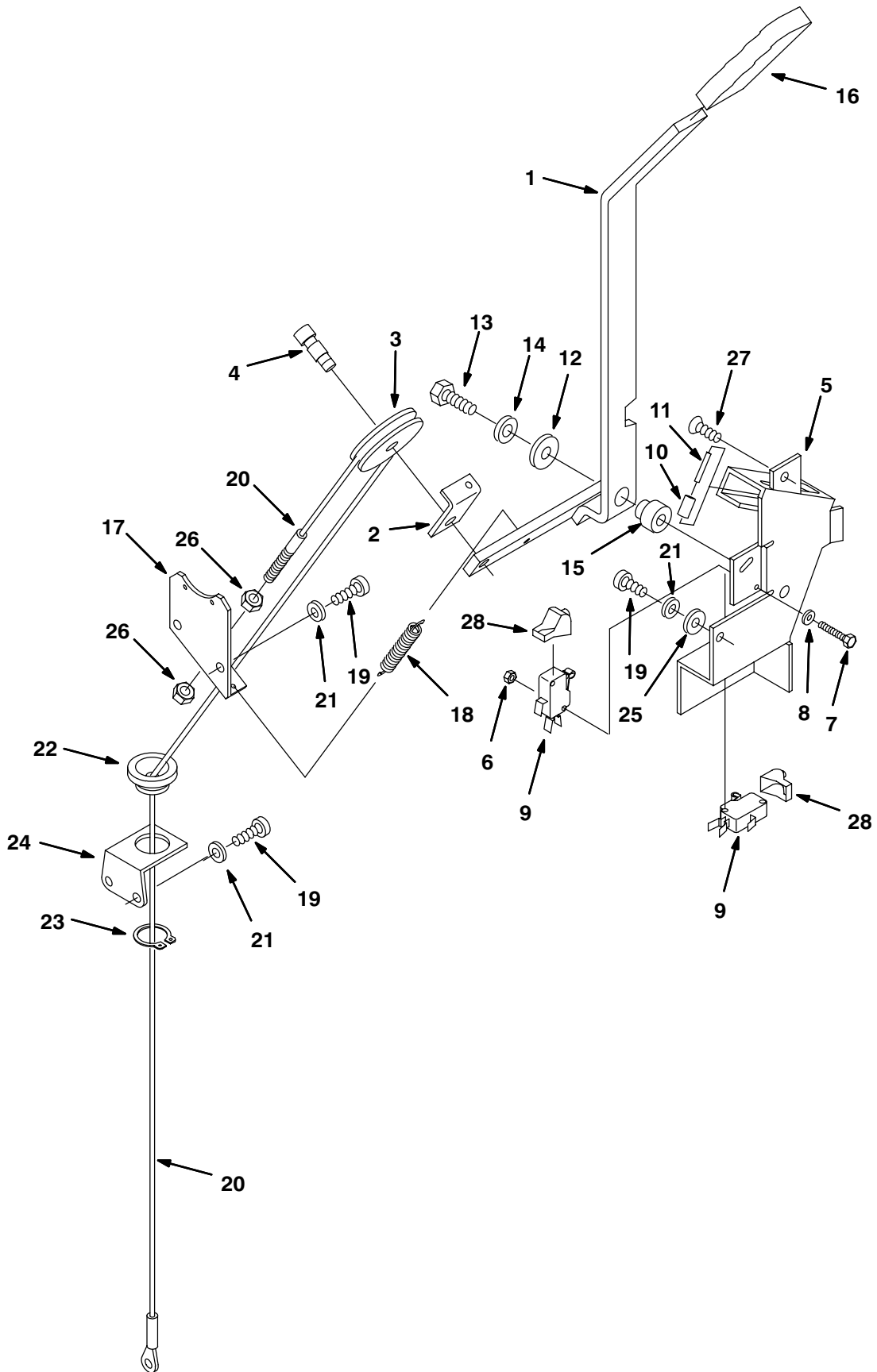
## SCRUB BRUSH DOWN PRESSURE GROUP

| REF | PART #    | DESCRIPTION                  | QTY. |
|-----|-----------|------------------------------|------|
| 1   | 069764140 | SCREW, M5X.8X16              | 2    |
| 2   | 630197    | BRACKET, DOWN PRESSURE       | 1    |
| 3   | 630234    | DECAL, DOWN PRESSURE         | 1    |
| 4   | 630482    | BEARING, FLANGE              | 1    |
| 5   | 578187000 | SCREW, M6X1.0X12             | 1    |
| 6   | 578244000 | WASHER, M6.4X10 LOCK         | 1    |
| 7   | 630195    | KNOB, 1/2-13X2-1/8 TEE STYLE | 1    |
| 8   | 630358    | WASHER, .75X1X.03 NYLON      | 1    |
| 9   | 630355    | COLLAR, 19.0 ID X 31.8 OD    | 1    |
| 10  | 630382    | PIN, SPRING .16DIA X 1.25    | 1    |
| 11  | 630353    | ROD-END, SHOCK               | 1    |

| REF | PART #    | DESCRIPTION                 | QTY. |
|-----|-----------|-----------------------------|------|
| 12  | 630357    | PIN, CLEVIS                 | 1    |
| 13  | 200315016 | WASHER, M5.3X15.0X1.6 FLAT  | 2    |
| 14  | 140018    | WASHER, #10 INT             | 4    |
| 15  | 575569000 | SCREW, M5X16                | 4    |
| 16  | 630354    | COUPLER, DOWN-PRESS. SHOCK  | 1    |
| 17  | 603664    | ●SHOCK, DOWN PRESSURE       | 1    |
| 18  | 140630    | PIN, COTTER                 | 1    |
| 19  | 200160017 | NUT, M8 HEXLOCK             | 3    |
| 20  | 200032503 | SCREW, M8X1.25X60           | 1    |
| 21  | 630356    | BRACKET, DOWN PRESSURE STOP | 1    |

● RECOMMENDED STOCK ITEMS

SQUEEGEE LIFT GROUP



## SQUEEGEE LIFT GROUP

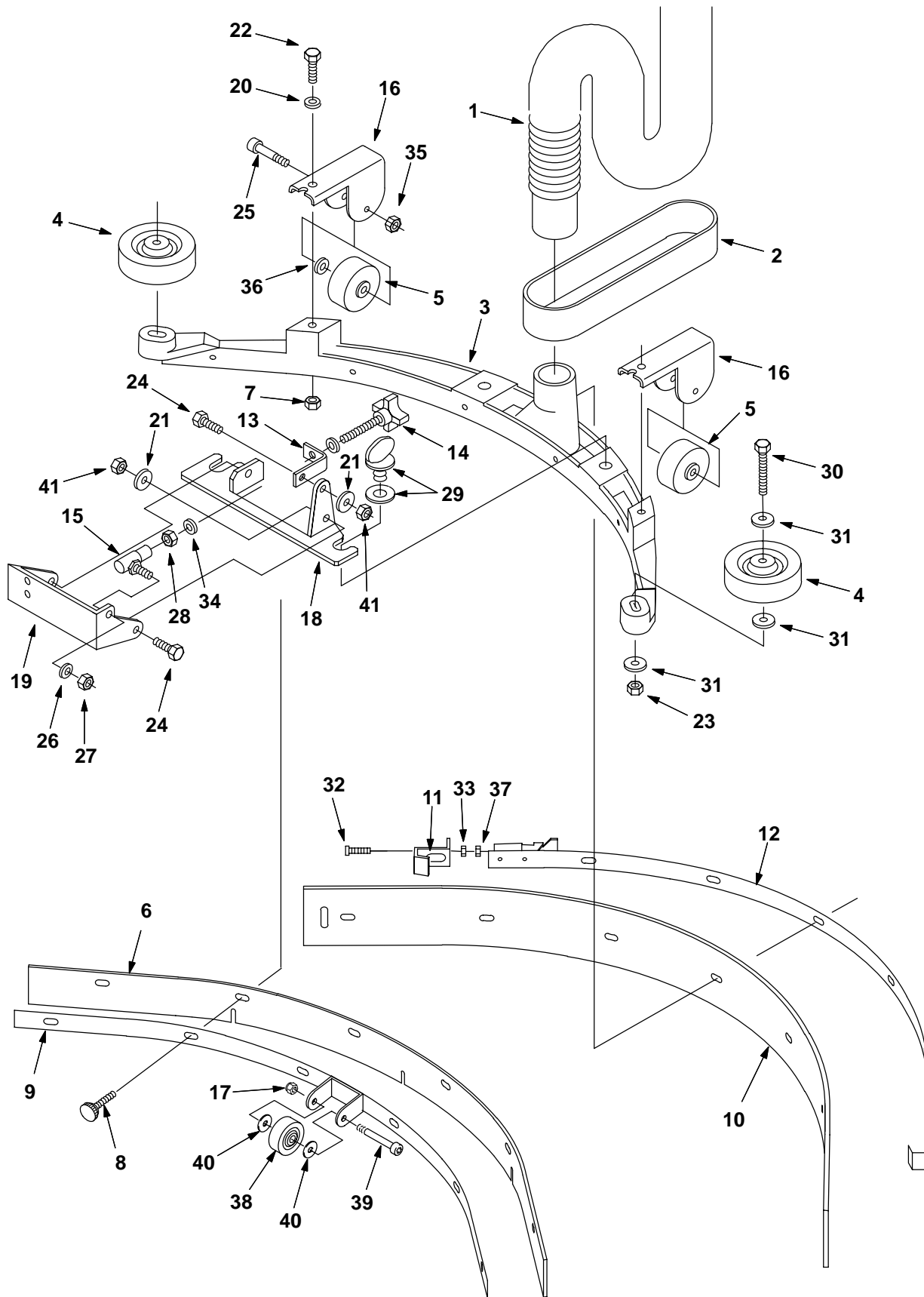
| REF | PART #    | DESCRIPTION                  | QTY. |
|-----|-----------|------------------------------|------|
| 1   | 630151    | ARM, SQUEEGEE LIFT           | 1    |
| 2   | 630427    | BRACKET, SQUEEGEE SHEAVE     | 1    |
| 3   | 630426    | PULLEY, CABLE DIA. 2"X 3/16" | 1    |
| 4   | 630470    | SCREW, 5/16X3/8X1 SHOULDER   | 1    |
| 5   | 630150    | BRACKET, SQUEEGEE LIFT ARM   | 1    |
| 6   | 579211    | NUT, M3 HEXLOCK              | 4    |
| 7   | 579213    | SCREW, M3X.5X20MM            | 4    |
| 8   | 601127000 | WASHER, M3.7X8X.5 FLAT       | 8    |
| 9   | 611006    | ●KIT, SWITCH REPLACEMENT     | 2    |
| 10  | 630207    | BUSHING, SQ. LIFT BRACKET    | 1    |
| 11  | 630262    | PIN, ROLL                    | 1    |
| 12  | 069760082 | WASHER, 1/4WD FLAT           | 1    |
| 13  | 200031496 | SCREW, M8X1.25X35            | 1    |
| 14  | 200370019 | WASHER, M8.4 LOCK            | 1    |

## ● RECOMMENDED STOCK ITEMS

| REF | PART #    | DESCRIPTION              | QTY. |
|-----|-----------|--------------------------|------|
| 15  | 630160    | BUSHING, ARM PIVOT       | 1    |
| 16  | 630209    | GRIP, SQUEEGEE LIFT      | 1    |
| 17  | 630155    | BRACKET, SQUEEGEE CABLE  | 1    |
| 18  | 630158    | SPRING, EXT              | 1    |
| 19  | 608322    | SCREW, M6X1.0X16         | 5    |
| 20  | 630156    | CABLE, SQUEEGEE LIFT 28" | 1    |
| 21  | 578244000 | WASHER, M6.4X10 LOCK     | 5    |
| 22  | 621235    | BUSHING, CABLE           | 1    |
| 23  | 621236000 | RING, RETAINING .810 DIA | 1    |
| 24  | 630157    | BRACKET, CABLE GUIDE     | 1    |
| 25  | 140000    | WASHER, 1/4 FLAT         | 1    |
| 26  | 140510    | NUT, 1/4-20 HEXJAM       | 2    |
| 27  | 069762098 | SCREW, M6X1.0X16MM       | 1    |
| 28  | 600372    | BOOT, LIMIT SWITCH       | 2    |



SQUEEGEE GROUP



## SQUEEGEE GROUP

| REF | PART #             | DESCRIPTION                | QTY. |
|-----|--------------------|----------------------------|------|
| ▽   | 610989             | ASM, SQUEEGEE LINATEX      | 1    |
| 1   | 630339             | ●HOSE ASM, SQUEEGEE        | 1    |
| 2   | 630333             | STRAP, SQUEEGEE HOSE       | 1    |
| ▲3  | 630311             | SQUEEGEE, CURVED           | 1    |
| ▲4  | 630450             | WHEEL, 3"X7/8" RUBBER      | 2    |
| ▲5  | 579184             | ●WHEEL, 2"X7/8" RUBBER     | 2    |
| ▲6  | 610148             | ●BLADE, SQ. FRONT LINATEX  | 1    |
| 6   | 610147             | ●BLADE, SQ. FRONT GUM      | 1    |
|     | 610149             | ●BLADE, SQ. FRONT URETHANE | 1    |
|     | QUARRY TILE BLADES |                            |      |
|     | 630288             | ●BLADE, SQ. FRONT LINATEX  | 1    |
|     | 630291             | ●BLADE, SQ. FRONT GUM      | 1    |
|     | 600207             | ●BLADE, SQ. FRONT URETHANE | 1    |
| ▲7  | 200640017          | NUT, M8 HEX                | 2    |
| ▲8  | 603012             | KNOB, SQUEEGEE FRONT       | 6    |
| ▲9  | 610257             | BAND, SQUEEGEE             | 1    |
| ▲10 | 610150             | ●BLADE, SQ. REAR LINATEX   | 1    |
| 10  | 630344             | ●BLADE, SQ. REAR GUM       | 1    |
|     | 610691             | ●BLADE, SQ. REAR URETHANE  | 1    |
| ▲11 | 610850             | CLIP, BAND FULL CURVE      | 1    |
| ▲12 | 630350             | BAND ASM, SQUEEGEE CURVED  | 1    |
| 13  | 630279             | BRACKET, TIP ADJUST PIVOT  | 1    |
| 14  | 630281             | KNOB, SQUEEGEE TIP ADJUST  | 1    |
| 15  | 140119             | JOINT, BALL – LIFT ROD     | 1    |
| ▲16 | 630314             | BRACKET, SQ. BACKUP WHEEL  | 2    |

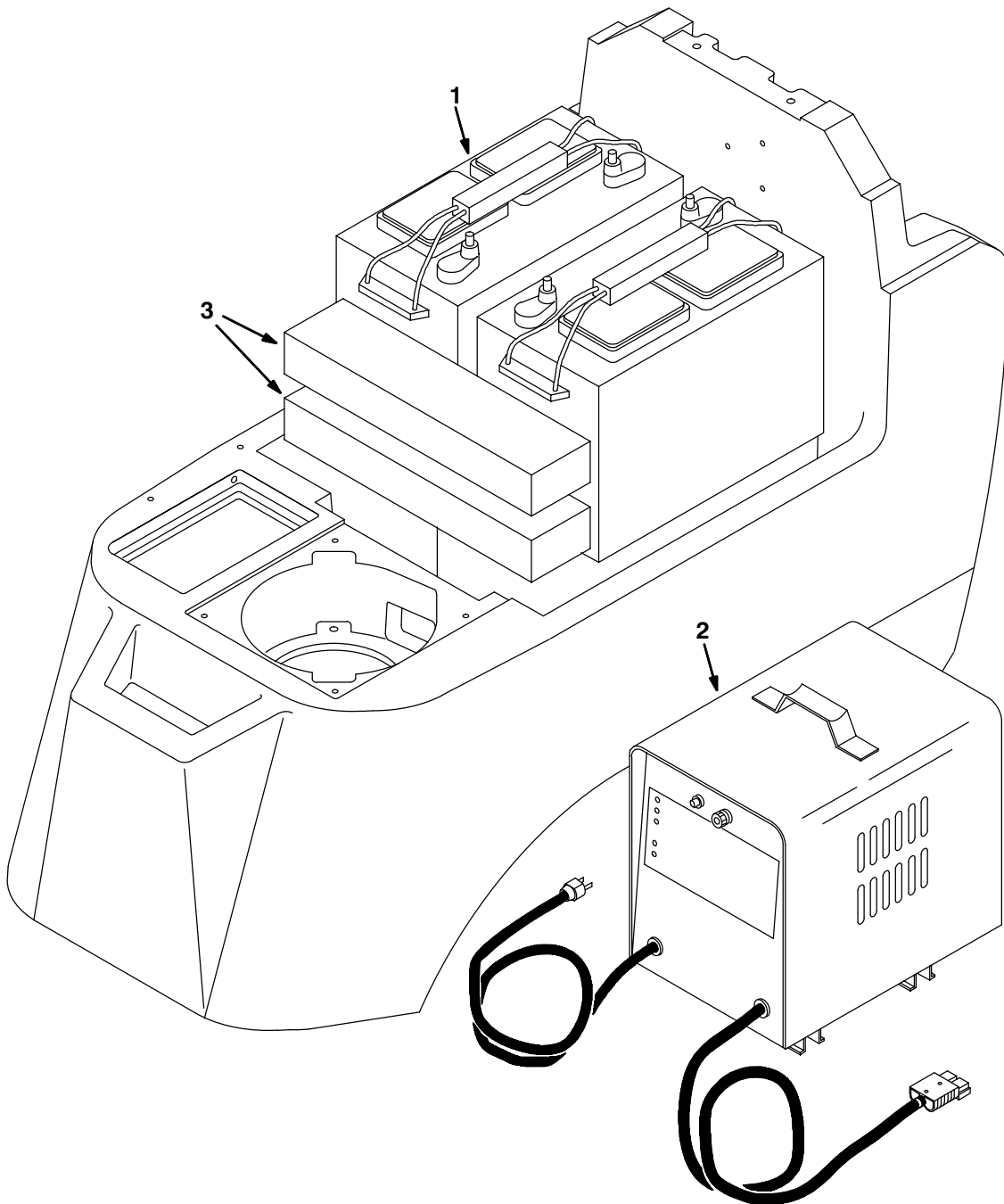
| REF | PART #    | DESCRIPTION                    | QTY. |
|-----|-----------|--------------------------------|------|
| ▲17 | 601108000 | NUT, 5/16–18 HEXLOCK           | 1    |
| 18  | 630277    | BRACKET, SQUEEGEE ATTACH       | 1    |
| 19  | 630278    | BRACKET, TIP ADJUST            | 1    |
| ▲20 | 200370019 | WASHER, M8.4 LOCK              | 2    |
| 21  | 200303019 | WASHER, M8.4X18X1.6 FLAT       | 5    |
| ▲22 | 200031494 | SCREW, M8X1.25X30              | 2    |
| ▲23 | 200160017 | NUT, M8 HEXLOCK                | 2    |
| 24  | 200031488 | SCREW, M8X1.25X20              | 3    |
| ▲25 | 630480    | SCREW, 5/16DIA X1–1/4 SHOULDER | 2    |
| 26  | 140015    | WASHER, 5/16 SPLITLOCK         | 1    |
| 27  | 069762144 | NUT, 5/16–24 HEX               | 1    |
| 28  | 630388    | NUT, 5/16–24 HEXLOCK           | 1    |
| ▲29 | 630393    | ●SCREW, THUMB & WASHER ASM     | 2    |
| ▲30 | 630424    | SCREW, M8X1.25X70              | 2    |
| ▲31 | 630303    | WASHER, M8.4X25.4X2.0 FLAT     | 6    |
| ▲32 | 630389    | SCREW, 7/8X45                  | 1    |
| ▲33 | 140283    | NUT, M5X.8 NYLOCK              | 1    |
| 34  | 630446    | WASHER, .318 NYLON             | 2    |
| ▲35 | 140501    | NUT, 1/4–20 NYLOCK             | 2    |
| ▲36 | 200651019 | WASHER, M8.4X17X1.6 FLAT       | 2    |
| ▲37 | 140297    | NUT, M5X.8 HEX                 | 1    |
| ▲38 | 630477    | ●WHEEL, 2"X.38" POLYURETHANE   | 1    |
| ▲39 | 600187    | SCREW, 3/8DIA X1/4 SHOULDER    | 1    |
| ▲40 | 140028    | WASHER, 3/8 FLAT               | 2    |
| 41  | 200160017 | NUT, M8 HEXLOCK                | 3    |

▽ ASSEMBLY

▲ INCLUDED IN ASSEMBLY

● RECOMMENDED STOCK ITEMS

BATTERY AND CHARGER GROUP

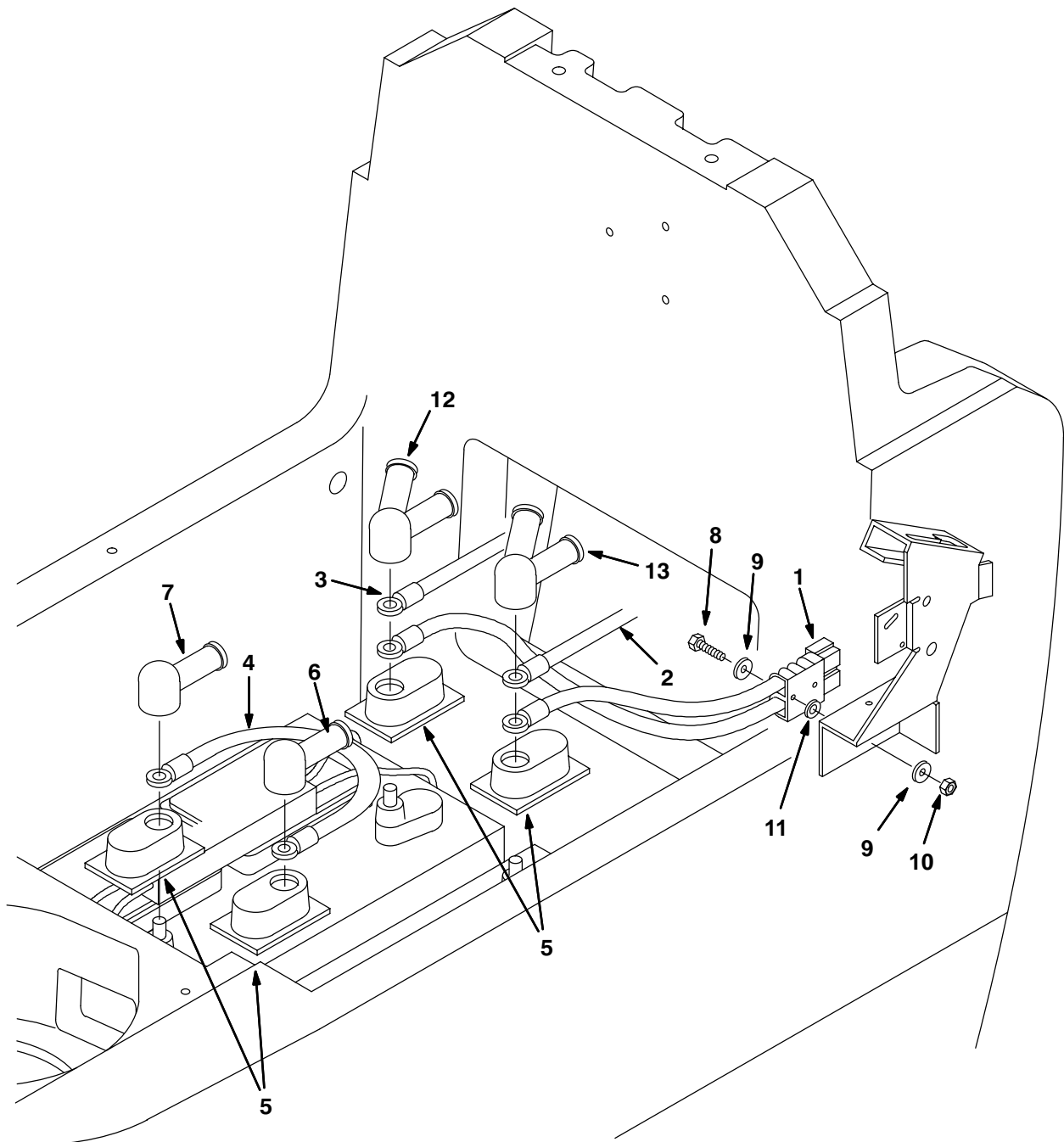


| REF | PART # | DESCRIPTION                | QTY. |
|-----|--------|----------------------------|------|
| 1   | 130869 | ●BATTERY, 12V 130AH (WET)  | 2    |
|     | 600594 | BATTERY, 12V 130AH (DAMP)  | 2    |
|     | 600394 | BATTERY, 12V 215AH (WET)   | 2    |
|     | 600595 | BATTERY, 12V 215 AH (DAMP) | 2    |

| REF | PART # | DESCRIPTION  | QTY. |
|-----|--------|--|------|
| 2   | 603553 | ●CHARGER 24DC/12A 120V DUAL-MODE (FOR 130AH BATTERIES) | 1    |
|     | 603235 | CHARGER, 24DC/20A/120AC (FOR 215AH BATTERIES)          | 1    |
| 3   | 630375 | STOP, BATTERY INSERT                                   | 2    |

● RECOMMENDED STOCK ITEMS

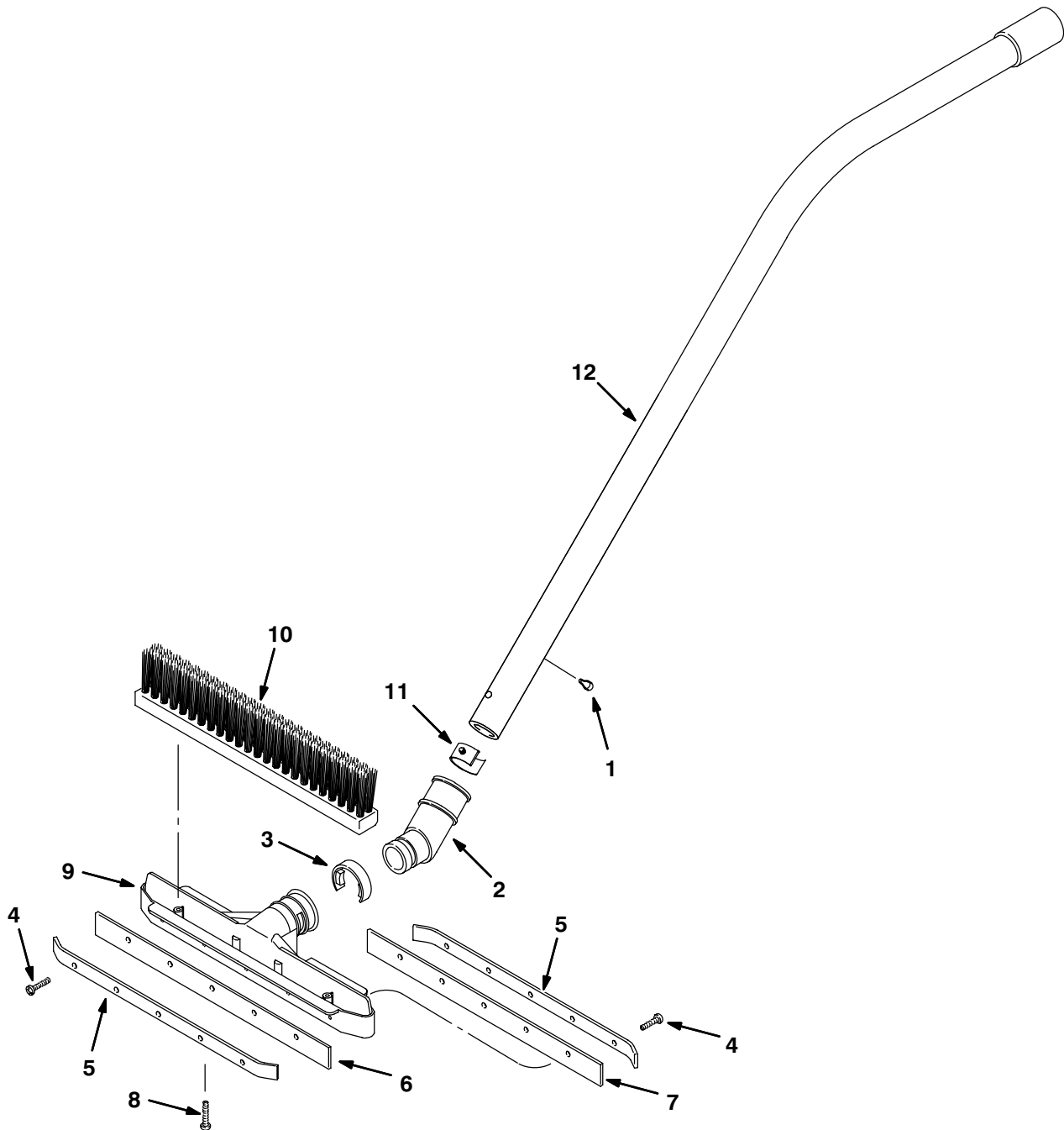
## BATTERY CABLE GROUP



| REF | PART # | DESCRIPTION                   | QTY. |
|-----|--------|-------------------------------|------|
| 1   | 630118 | CABLE, BATT W/RED CHRGR PLUG  | 1    |
| 2   | 630110 | CABLE, BATTERY 4GA 813MM/ RED | 1    |
| 3   | 630111 | CABLE, BATTERY 4GA 864MM/ BLK | 1    |
| 4   | 603061 | CABLE, BATTERY 6GA 305MM RED  | 1    |
| 5   | 611223 | COVER, TERMINAL               | 4    |
| 6   | 611221 | BOOT, BATT CABLE TERMINAL BLK | 1    |
| 7   | 611222 | BOOT, BATT CABLE TERMINAL RED | 1    |

| REF | PART #    | DESCRIPTION                | QTY. |
|-----|-----------|----------------------------|------|
| 8   | 200051274 | SCREW, M3X.5X30            | 2    |
| 9   | 601127000 | WASHER, M3.7X8X.5 FLAT     | 4    |
| 10  | 579211    | NUT, M3 HEXLOCK            | 2    |
| 11  | 140019    | WASHER, #6 EXT             | 2    |
| 12  | 606011    | BOOT, INSULATING CABLE RED | 1    |
| 13  | 606010    | BOOT, INSULATING CABLE BLK | 1    |

NON-POWER WAND ASSEMBLY



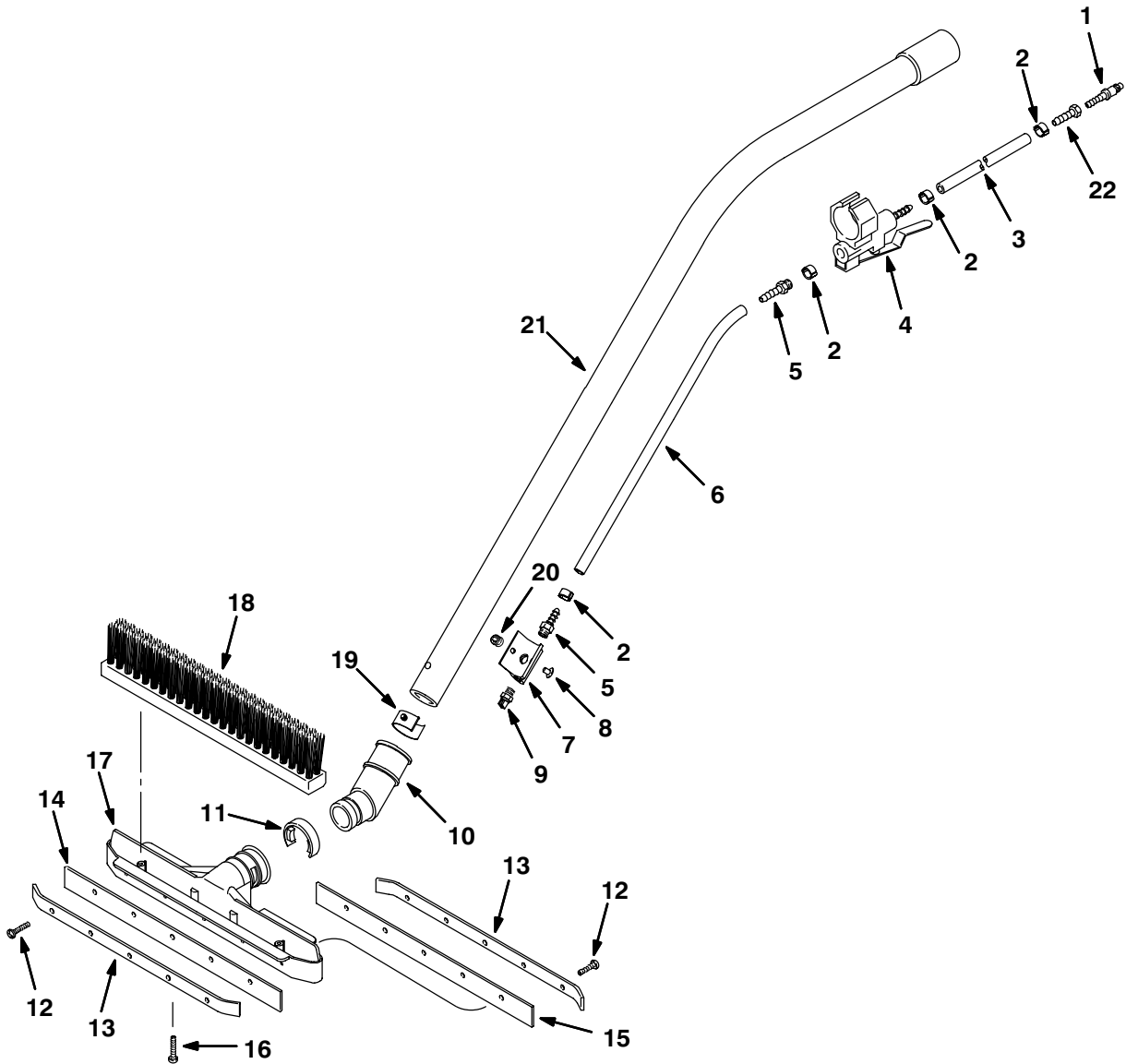
| REF | PART # | DESCRIPTION                 | QTY. |
|-----|--------|-----------------------------|------|
| ▽   | 630732 | WAND ASM., NON-POWER        | 1    |
| ▲1  | 630269 | BUMPER, MUSHROOM            | 2    |
| ▲2  | 579113 | SWIVEL, WAND ATTACHMENT     | 1    |
| ▲3  | 579132 | RING, ATTACHMENT            | 1    |
| ▲4  | 579135 | SCREW, SELF TD UNITED       | 10   |
| ▲5  | 579103 | RETAINER, WAND BLADE        | 2    |
| ▲6  | 579239 | SQUEEGEE, BLADE, FRONT WAND | 1    |

| REF | PART # | DESCRIPTION                | QTY. |
|-----|--------|----------------------------|------|
| ▲7  | 579230 | SQUEEGEE, BLADE, REAR WAND | 1    |
| ▲8  | 579147 | SCREW, SELF-TAP, #6, 1.5"  | 2    |
| ▲9  | 579101 | HEAD, WAND                 | 1    |
| ▲10 | 579102 | BRUSH, WAND (TWO ROW)      | 1    |
| ▲11 | 579187 | CLIP, SPRING               | 1    |
| ▲12 | 579109 | WAND, SINGLE BEND          | 1    |

▽ ASSEMBLY

▲ INCLUDED IN ASSEMBLY

POWER WAND ASSEMBLY



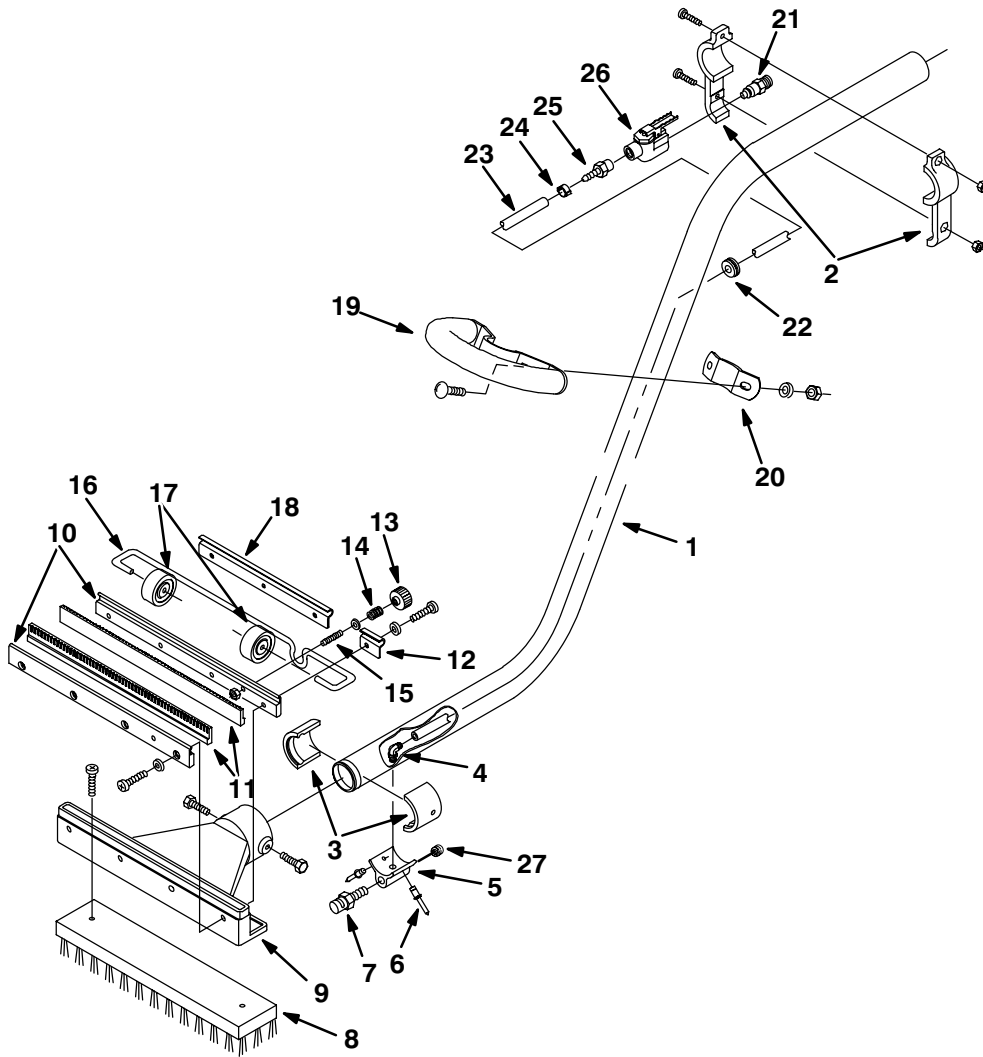
| REF | PART #    | DESCRIPTION                     | QTY. |
|-----|-----------|---------------------------------|------|
| ▽   | 579908    | WAND ASM, POWER                 | 1    |
| ▲1  | 578091000 | PLUG, QUICK CONNECT             | 1    |
| ▲2  | 578160000 | CLAMP, HOSE                     | 4    |
| ▲3  | 579168    | HOSE, RELIEF, .25, .44", .110 M | 1    |
| ▲4  | 579107    | VALVE, WATER CONT.              | 1    |
| ▲5  | 150525    | HOSE BARB, 1/8" M X 1/4" H      | 2    |
| ▲6  | 579146    | HOSE, WAND WATER FEED           | 1    |
| ▲7  | 579112    | ADAPTOR, SPRAY NOZZLE           | 1    |
| ▲8  | 579198    | RIVET, POP                      | 2    |
| ▲9  | 579137    | SPRAY NOZZLE                    | 1    |
| ▲10 | 579113    | SWIVEL, WAND ATTACHMT           | 1    |

| REF | PART # | DESCRIPTION                 | QTY. |
|-----|--------|-----------------------------|------|
| ▲11 | 579132 | RING, ATTACHMENT            | 1    |
| ▲12 | 579135 | SCREW, SELF TD UNITED       | 10   |
| ▲13 | 579103 | RETAINER, WAND BLADE        | 2    |
| ▲14 | 579239 | SQUEEGEE, BLADE, FRONT WAND | 1    |
| ▲15 | 579230 | SQUEEGEE, BLADE, REAR WAND  | 1    |
| ▲16 | 579147 | SCREW, SELF – TAP, #6, 1.5" | 2    |
| ▲17 | 579101 | HEAD, WAND                  | 1    |
| ▲18 | 579102 | BRUSH, WAND (TWO ROW)       | 1    |
| ▲19 | 579187 | CLIP, SPRING                | 1    |
| ▲20 | 150208 | PLUG, SCKT HD 1/8"          | 1    |
| ▲21 | 579109 | WAND, SINGLE BEND 31.8      | 1    |
| ▲22 | 150510 | FITTING, 1/4F X 1/4H BARB   | 1    |

▽ ASSEMBLY

▲ INCLUDED IN ASSEMBLY

DELUXE POWER WAND ASSEMBLY



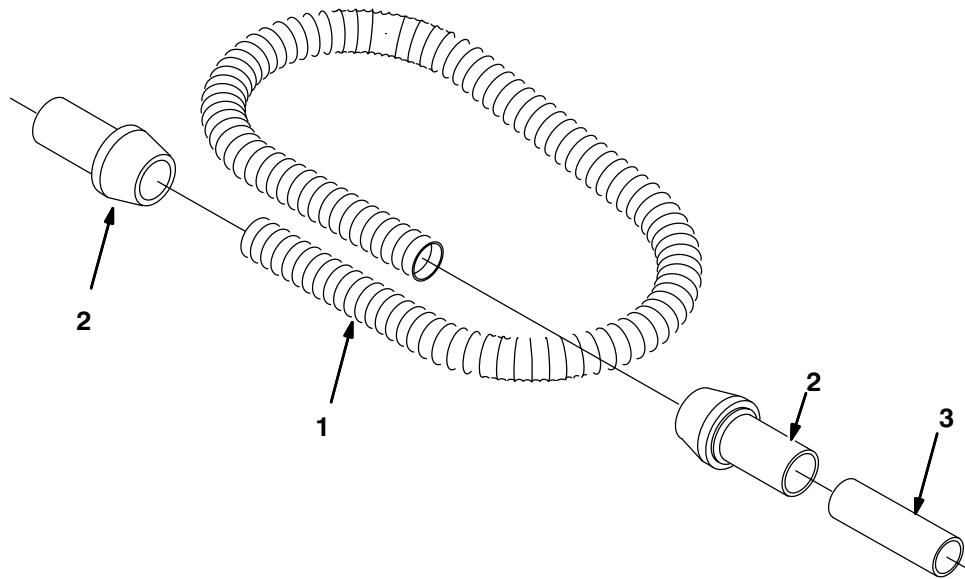
| REF | PART #    | DESCRIPTION                         | QTY. |
|-----|-----------|-------------------------------------|------|
| ▽   | 578905000 | WAND ASM, DELUXE-POWER              | 1    |
| ▲1  | 578060000 | WAND, DOUBLE BEND                   | 1    |
| ▲2  | 578077000 | BRACKET, VALVE MOUNTING, WAND       | 1    |
| ▲3  | 578061000 | ADAPTER, HEAD/WAND                  | 2    |
| ▲4  | 578214000 | FITTING, ELBOW, 0.25"HOSE, 0.12"NPT | 1    |
| ▲5  | 579112    | ADAPTER, SPRAY NOZZLE               | 1    |
| ▲6  | 579198    | RIVET, POP, .156, .312, .384        | 2    |
| ▲7  | 578066000 | SPRAY NOZZLE, .125" NPT, 75 DEG.    | 1    |
| ▲8  | 578073000 | BRUSH, DECK, POLYPRO BLOCK          | 1    |
| ▲9  | 578063000 | HEAD, WAND                          | 1    |
| ▲10 | 578078000 | RETAINER, SQUEEGEE WAND             | 2    |
| ▲11 | 578074000 | BLADE, SQUEEGEE WAND                | 2    |
| ▲12 | 578124000 | BRACKET, AXLE                       | 1    |
| ▲13 | 578439    | NUT, THUMB                          | 1    |

| REF | PART #    | DESCRIPTION                    | QTY. |
|-----|-----------|--------------------------------|------|
| ▲14 | 578228000 | SPRING, COMPRESSION            | 1    |
| ▲15 | 578143000 | M6, 40MM LG., ADJUST. STUD     | 1    |
| ▲16 | 578126000 | AXLE, WAND                     | 1    |
| ▲17 | 578125000 | WHEEL, GUIDE, WAND             | 2    |
| ▲18 | 578123000 | BRACKET, AXLE                  | 1    |
| ▲19 | 578155000 | HANDLE, WAND                   | 1    |
| ▲20 | 578154000 | BRACKET, HANDLE, WAND          | 1    |
| ▲21 | 578091000 | PLUG, MALE QUICK-CONN          | 1    |
| ▲22 | 578164000 | GROMMET                        | 1    |
| ▲23 | 578821000 | HOSE, SOLUTION, WAND           | 1    |
| ▲24 | 578161000 | CLAMP, HOSE                    | 1    |
| ▲25 | 578094000 | 1/4 HOSEBARB, 1/4NPT MALE PIPE | 1    |
| ▲26 | 578064000 | VALVE, WATER CONTROL, WAND     | 1    |
| ▲27 | 150208    | PLUG, SCKT HD 1/8"             | 1    |

▽ ASSEMBLY

▲ INCLUDED IN ASSEMBLY

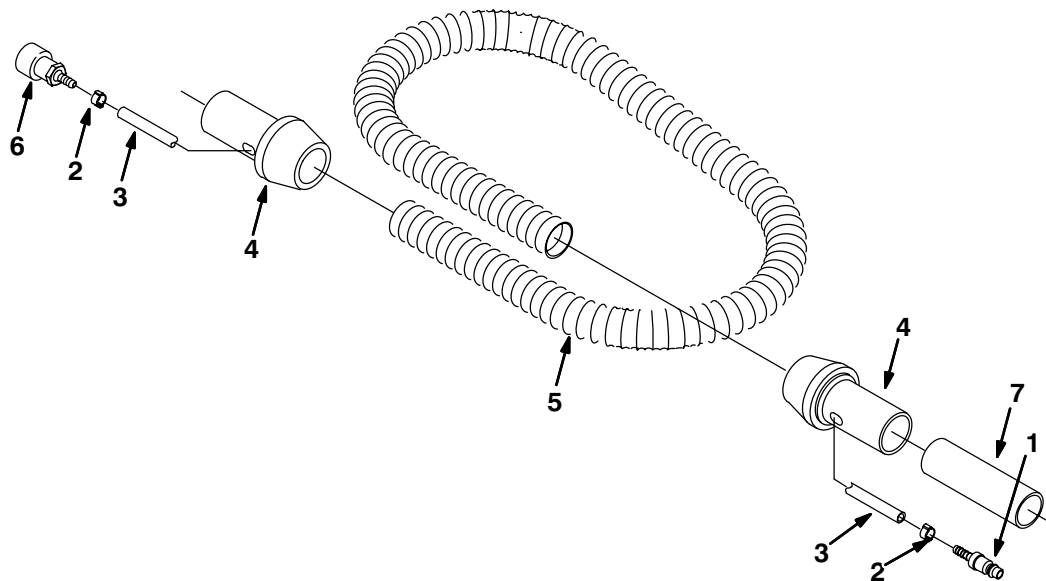
NON-POWER WAND HOSE ASSEMBLY



| REF | PART #    | DESCRIPTION                   | QTY. |
|-----|-----------|-------------------------------|------|
| ▽   | 630739    | HOSE ASM., NON-POWER WAND     | 1    |
| ▲1  | 578276000 | HOSE, VACUUM 1-1/2 X 10' GRAY | 1    |

| REF | PART # | DESCRIPTION               | QTY. |
|-----|--------|---------------------------|------|
| ▲2  | 630449 | CUFF, HOSE SOFT DIA 38.1M | 2    |
| ▲3  | 231031 | SLEEVE, 1-1/2DIA X 5"LG   | 1    |

POWER WAND HOSE ASSEMBLY



| REF | PART #    | DESCRIPTION                 | QTY. |
|-----|-----------|-----------------------------|------|
| ▽   | 578903000 | HOSE ASM., POWER WAND       | 1    |
| ▲1  | 578318000 | FITTING, QUICK CONCT MALE   | 1    |
| ▲2  | 578160000 | CLAMP, HOSE 11-13MM         | 2    |
| ▲3  | 578820000 | HOSE, .25ID, .44OD, 4.0M LG | 1    |
| ▲4  | 578072000 | CUFF, SWIVEL, 1-1/2         | 2    |

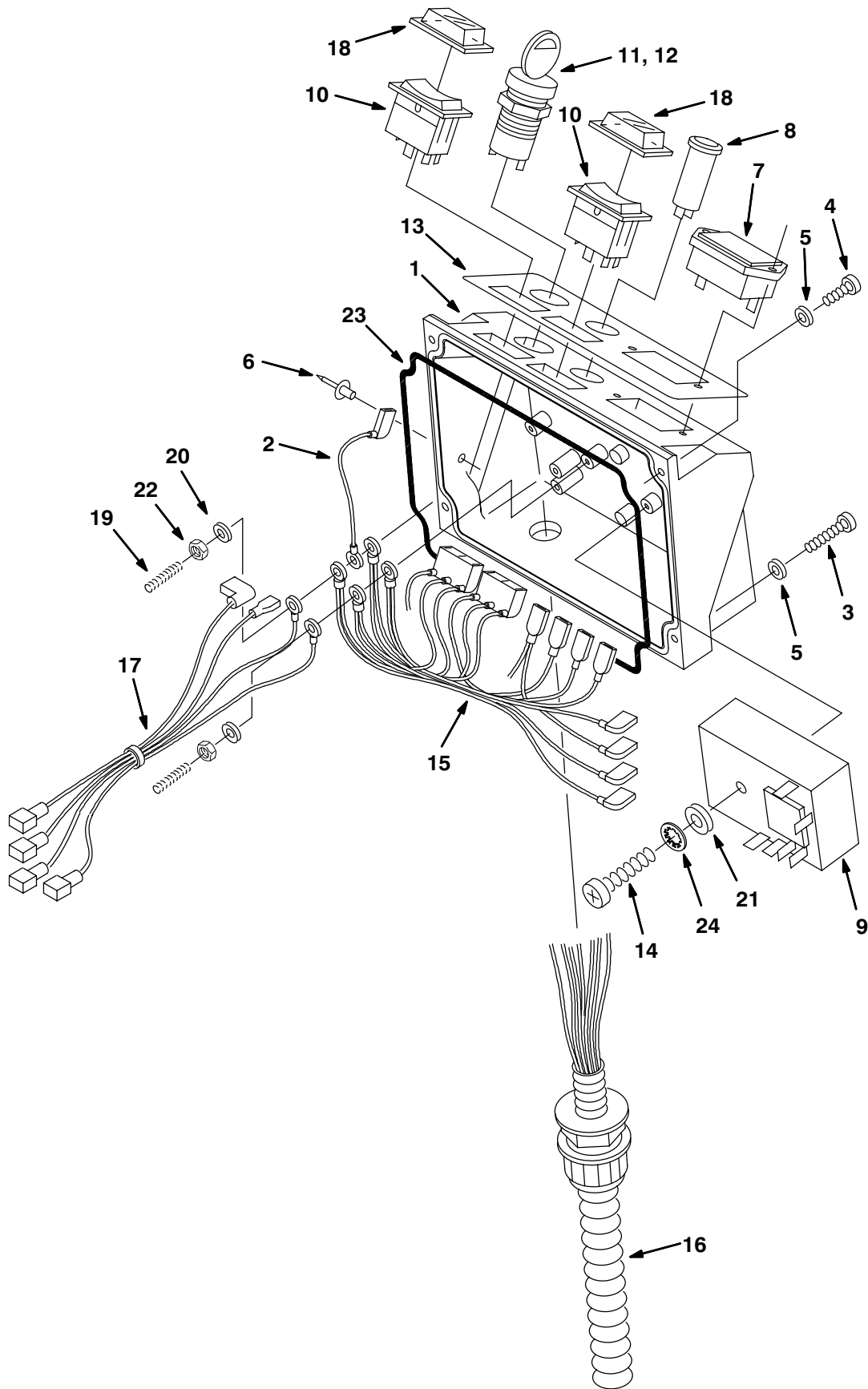
| REF | PART #    | DESCRIPTION                    | QTY. |
|-----|-----------|--------------------------------|------|
| ▲5  | 578276000 | HOSE, VACUUM, 1-1/2 X 10' GRAY | 1    |
| ▲6  | 578071000 | CONNECTOR, QUICK CONCT FE-MALE | 1    |
| ▲7  | 231031    | SLEEVE, 1-1/2"DIA X 5"LG       | 1    |

▽ ASSEMBLY

▲ INCLUDED IN ASSEMBLY



ACCESSORY CONSOLE GROUP

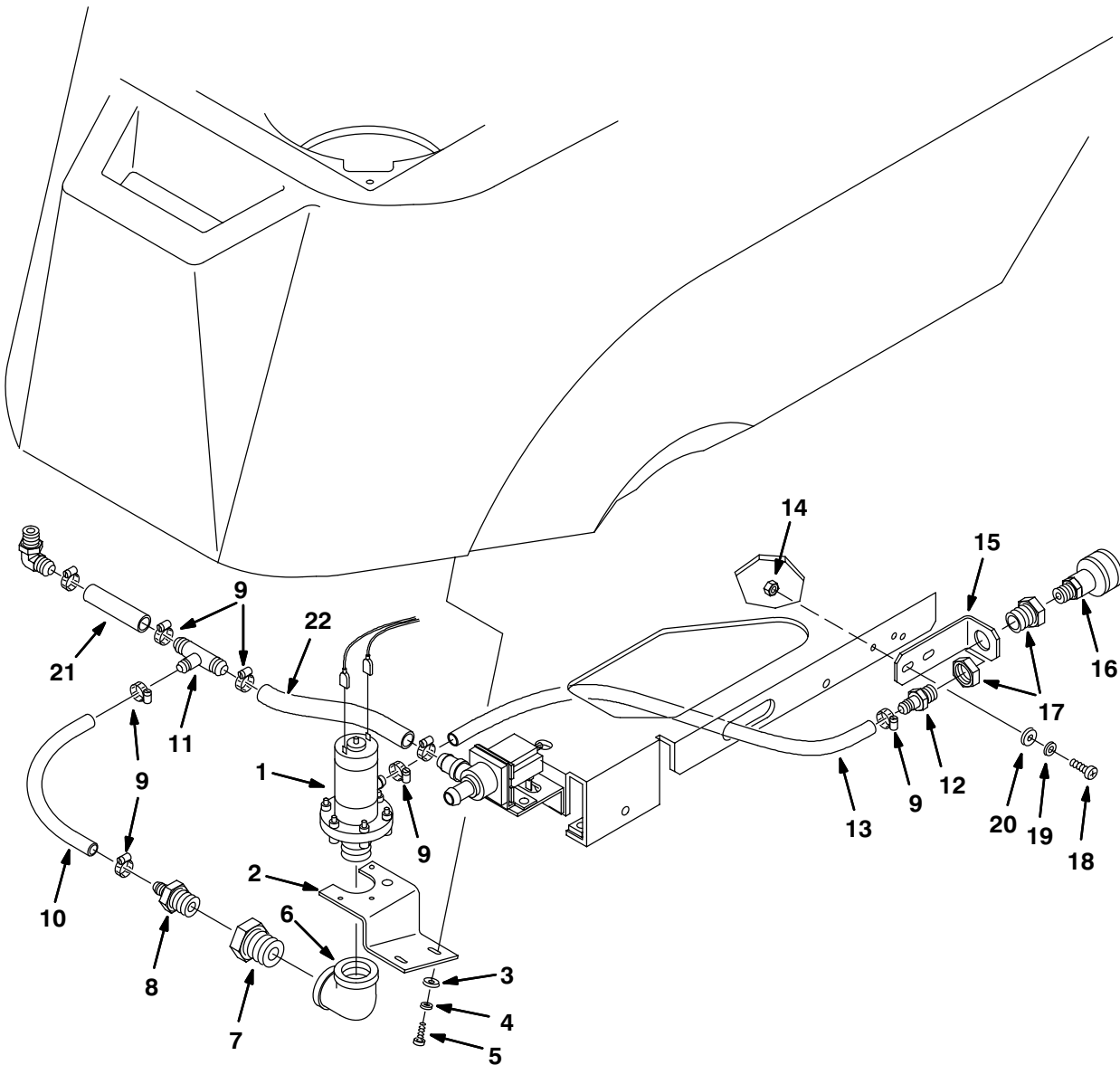


ACCESSORY CONSOLE GROUP

| REF | PART #    | DESCRIPTION   | QTY. |
|-----|-----------|---|------|
|     | 607486    | KIT, KEY SWITCH/HOUR METER                                | 1    |
|     | 607487    | KIT, ES <sup>™</sup> /KEY SWITCH/<br>HOUR METER           | 1    |
|     | 607488    | KIT, ES <sup>™</sup> /KEY SWITCH/<br>HOUR METER/WAND PUMP | 1    |
|     | 607489    | KIT, WAND PUMP  | 1    |
|     | 607490    | KIT, KEY SWITCH/HOUR METER/<br>WAND PUMP                  | 1    |
| 1   | 630140    | CONSOLE, 20" SCRUBBER                                     | 1    |
| 2   | 630331    | WIRE ASSY, KEY SWITCH                                     | 1    |
| 3   | 200070354 | SCREW, M4X30  | 2    |
| 4   | 140287    | SCREW, M4X.7X16MM   | 2    |
| 5   | 140023    | WASHER, LOC INT #8  | 4    |
| 6   | 578852    | RIVET, SNAP 5.0MM   | 1    |
| 7   | 630143    | METER, HOUR, 18-60VDC                                     | 1    |
| 8   | 630142    | LIGHT, PILOT, 24V, BLUE                                   | 1    |
| 9   | 630145    | TIMER, 24VDC, RANGE: 30SEC                                | 1    |
| 10  | 630419    | SWITCH, RCKR, SPST, 24VDC GRN                             | 2    |
| 11  | 607475    | SWITCH, KEYLOCK 12-AMP                                    | 1    |

| REF | PART #    | DESCRIPTION  | QTY. |
|-----|-----------|--|------|
| 12  | 607821    | KEY, REPLACEMENT, STEEL                              | 2    |
| 13  | 630235    | DECAL, KEY/HOUR METER                                | 1    |
|     | 630236    | DECAL, ES <sup>™</sup> /KEY/HOUR METER/<br>LIGHT     | 1    |
|     | 630237    | DECAL, ES <sup>™</sup> /KEY/HOUR/LIGHT/<br>WAND PUMP | 1    |
|     | 630238    | DECAL, WAND PUMP                                     | 1    |
|     | 630239    | DECAL, KEY/HR/WAND PUMP                              | 1    |
| 14  | 630334    | SCREW, S-TAP, #6                                     | 1    |
| 15  | 606499    | HARNESS, WIRE ES OPTION                              | 1    |
| 16  | 630342    | HARNESS, WIRE ES                                     | 1    |
| 17  | 606502    | HARNESS, ACCESSORY                                   | 1    |
| 18  | 578720    | SPLASH GUARD, ROCKER SWITCH                          | 2    |
| 19  | 601271    | STUD, M4X.7X1.00                                     | 2    |
| 20  | 140023    | WASHER, #8 INT                                       | 2    |
| 21  | 140026    | WASHER, #6 FLAT                                      | 1    |
| 22  | 200102014 | NUT, M4 X .7 HEX                                     | 2    |
| 23  | 579178    | O-RING, SPONGE                                       | 1    |
| 24  | 140018    | WASHER, #10 INT                                      | 1    |

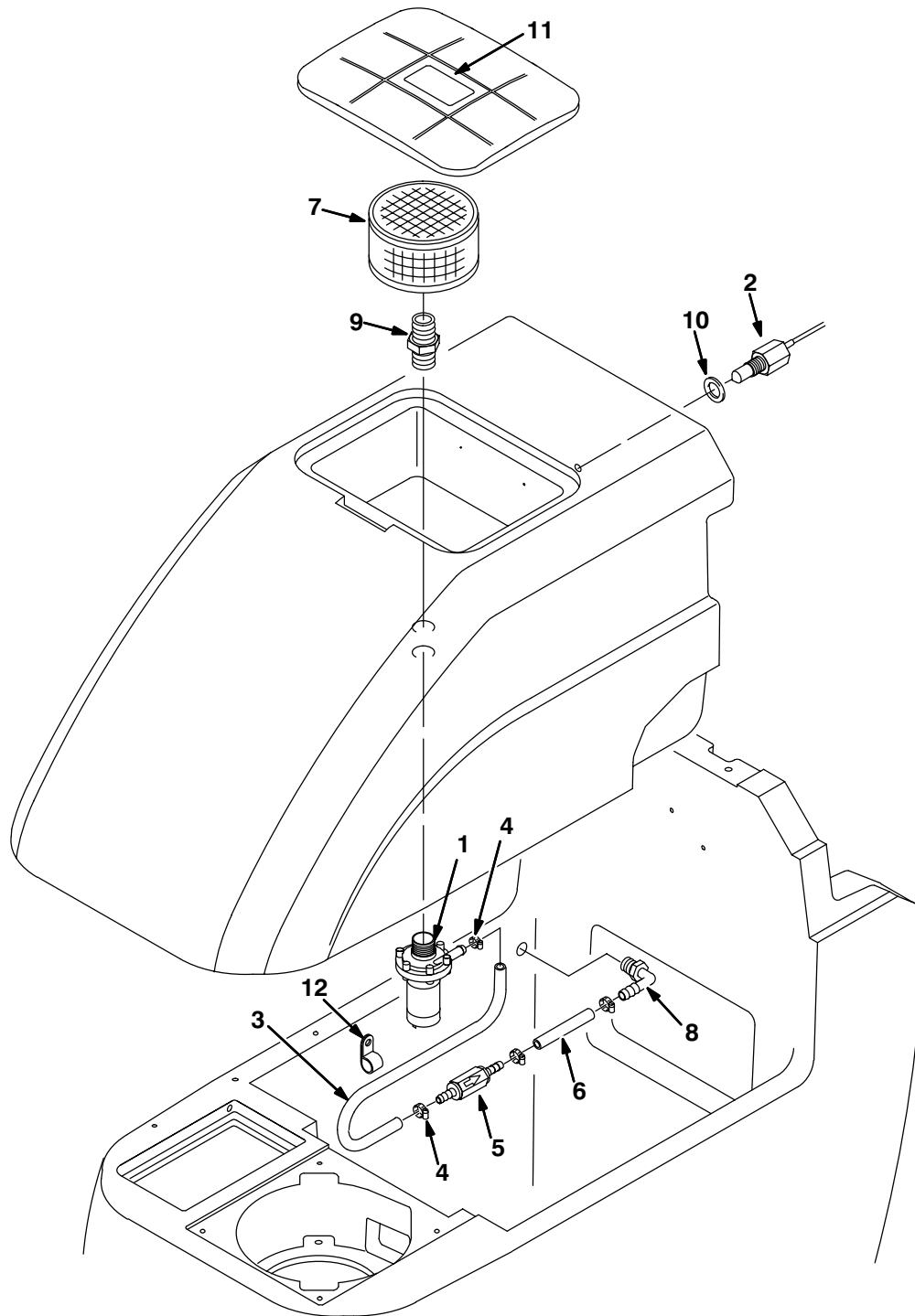
WAND PUMP PLUMBING GROUP



| REF | PART #    | DESCRIPTION                 | QTY. |
|-----|-----------|-----------------------------|------|
| 1   | 630136    | PUMP, 24VDC                 | 1    |
| 2   | 630335    | BRACKET, MTG, PUMP          | 1    |
| 3   | 200315016 | WASHER, 5.3X15.0X1.6 FLAT   | 2    |
| 4   | 140018    | WASHER, LOC INT #10         | 2    |
| 5   | 200070384 | SCREW, M5X14                | 2    |
| 6   | 630251    | FITTING, E90, .75 FORGED    | 1    |
| 7   | 630252    | FITTING, BUSHING, 3/4MX3/8F | 1    |
| 8   | 150538    | HOSE BARB, 3/8MX3/8H        | 1    |
| 9   | 140310    | CLAMP, HOSE 5/16-7/8        | 6    |
| 10  | 630417    | HOSE, 165MM WAND PUMP       | 1    |
| 11  | 630372    | FITTING, TEE                | 1    |

| REF | PART #    | DESCRIPTION                            | QTY. |
|-----|-----------|--|------|
| 12  | 150516    | FITTING, BARB                          | 1    |
| 13  | 630418    | HOSE, .700MM                           | 1    |
| 14  | 579029    | NUT, M6X1.0                            | 2    |
| 15  | 630256    | BRACKET, MTG QUICK CONNCT              | 1    |
| 16  | 608292    | FITTING, QUICK DISC FEMALE 3/8X1/4 NPT | 1    |
| 17  | 150300    | CONNECTOR, ANCHOR                      | 1    |
| 18  | 608322    | SCREW, M6X1.0X16                       | 2    |
| 19  | 578244000 | WASHER-LOC INT, M6                     | 2    |
| 20  | 579210    | WASHER, FLAT 6.L4, 18.0, 1.5           | 2    |
| 21  | 140957    | HOSE, 1/2IDX2-1/2                      | 1    |
| 22  | 606241    | HOSE, 1/2IDX6                          | 1    |

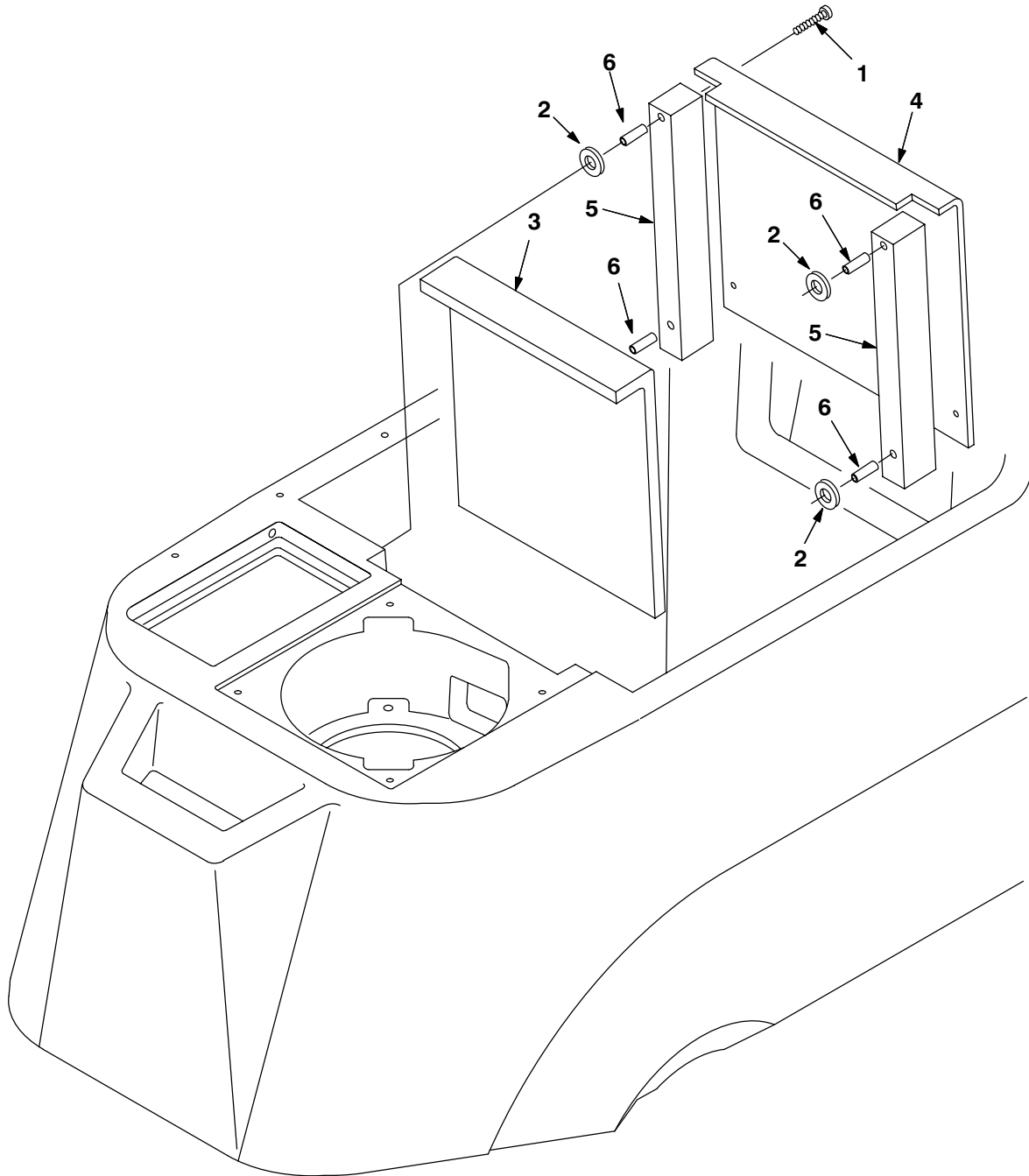
ES™ PLUMBING GROUP



| REF | PART # | DESCRIPTION                       | QTY. |
|-----|--------|-----------------------------------|------|
| 1   | 630136 | PUMP, 24VDC                       | 1    |
| 2   | 630137 | SENSOR, WATER LEVEL               | 1    |
| 3   | 25160  | TUBING, 5/8OD X 3/8ID X 21.75FT   | 1    |
| 4   | 140310 | CLAMP, HOSE 5/16-7/8              | 4    |
| 5   | 210044 | VALVE, CHECK                      | 1    |
| 6   | 25160  | TUBING, 5/8OD X 3/8ID X 5.25FT LG | 1    |

| REF | PART # | DESCRIPTION                 | QTY. |
|-----|--------|-----------------------------|------|
| 7   | 630138 | FILTER, SCREEN              | 1    |
| 8   | 150412 | FITTING, 3/8MX3/8H ELBOW    | 1    |
| 9   | 630385 | FITTING, NIPPLE             | 1    |
| 10  | 630479 | WASHER, NYLON               | 1    |
| 11  | 630440 | DECAL, DO NOT REMOVE FILTER | 1    |
| 12  | 140314 | CLAMP, INSULATED            | 1    |

SOUND KIT



| REF | PART #    | DESCRIPTION            | QTY. |
|-----|-----------|------------------------|------|
|     | 630735    | KIT, SOUND LOW DB      | 1    |
| 1   | 600393    | SCREW, M5 X 40MM FLTHD | 4    |
| 2   | 200315016 | WASHER, FLAT           | 4    |
| 3   | 630441    | SOUND COVER, FOAM      | 1    |

| REF | PART # | DESCRIPTION        | QTY. |
|-----|--------|--------------------|------|
| 4   | 630395 | SOUND COVER, PLATE | 1    |
| 5   | 630397 | SOUND SIDE, FOAM   | 2    |
| 6   | 630398 | SPACER             | 4    |